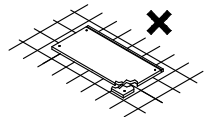
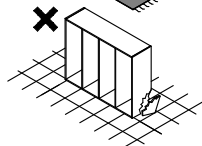
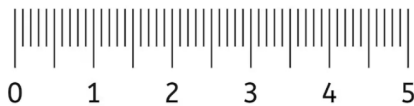
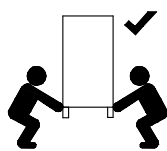
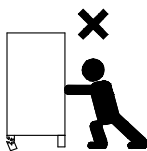
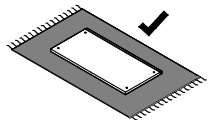
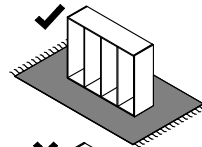
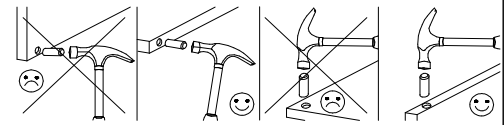
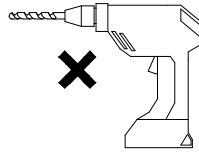
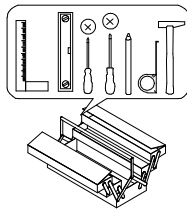
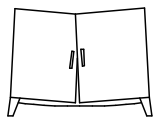
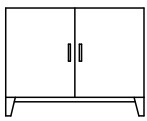
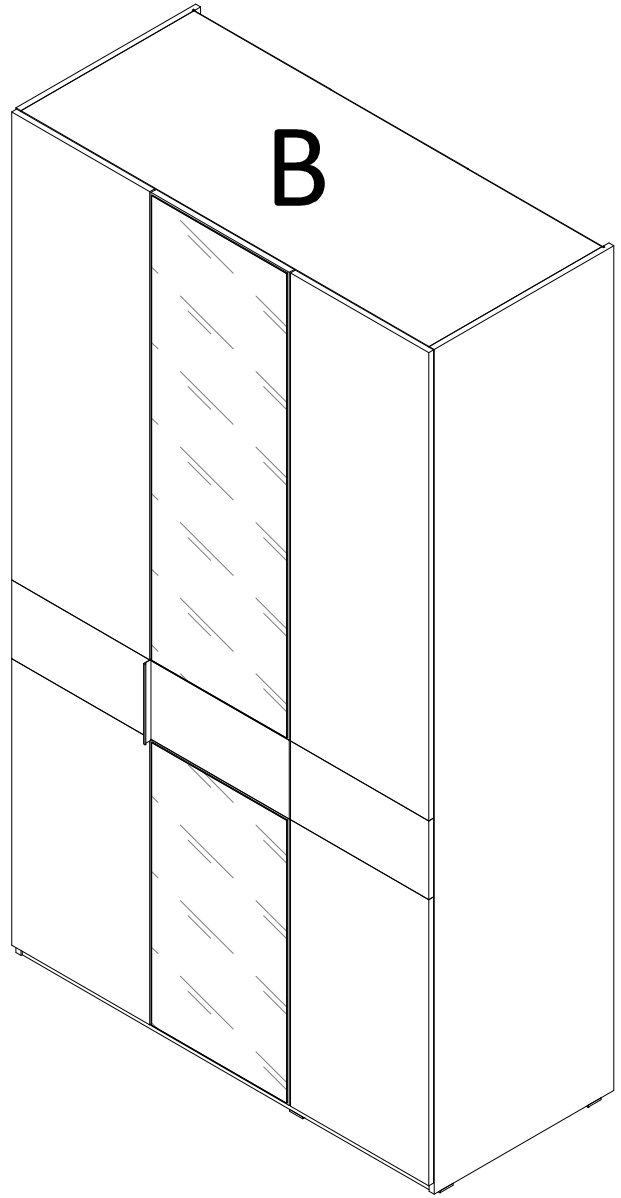
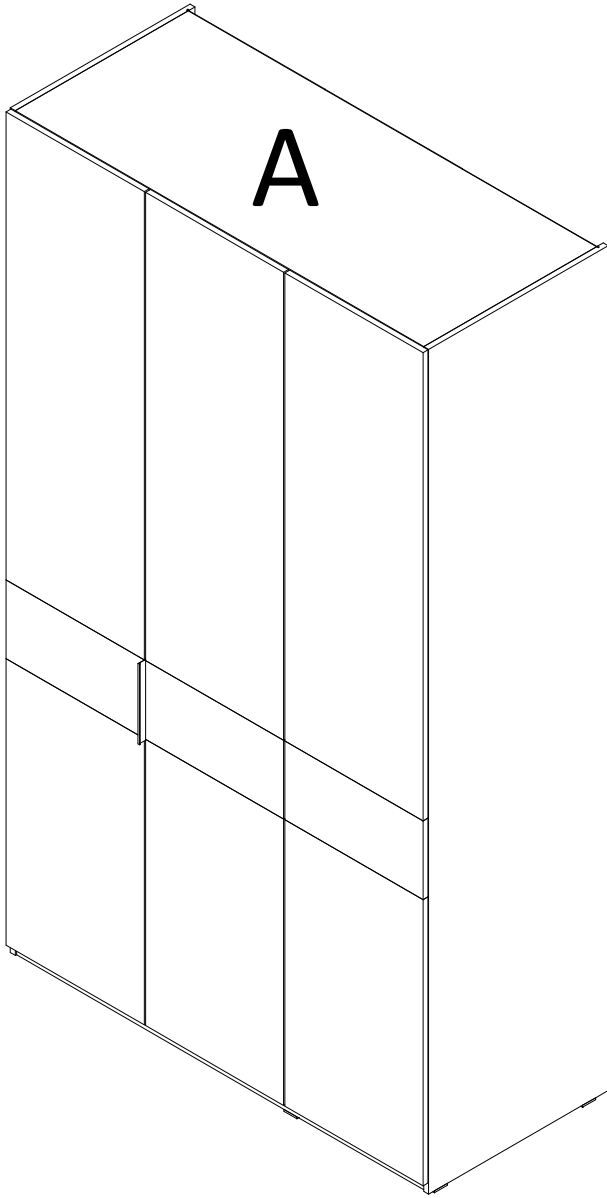
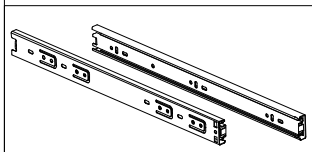
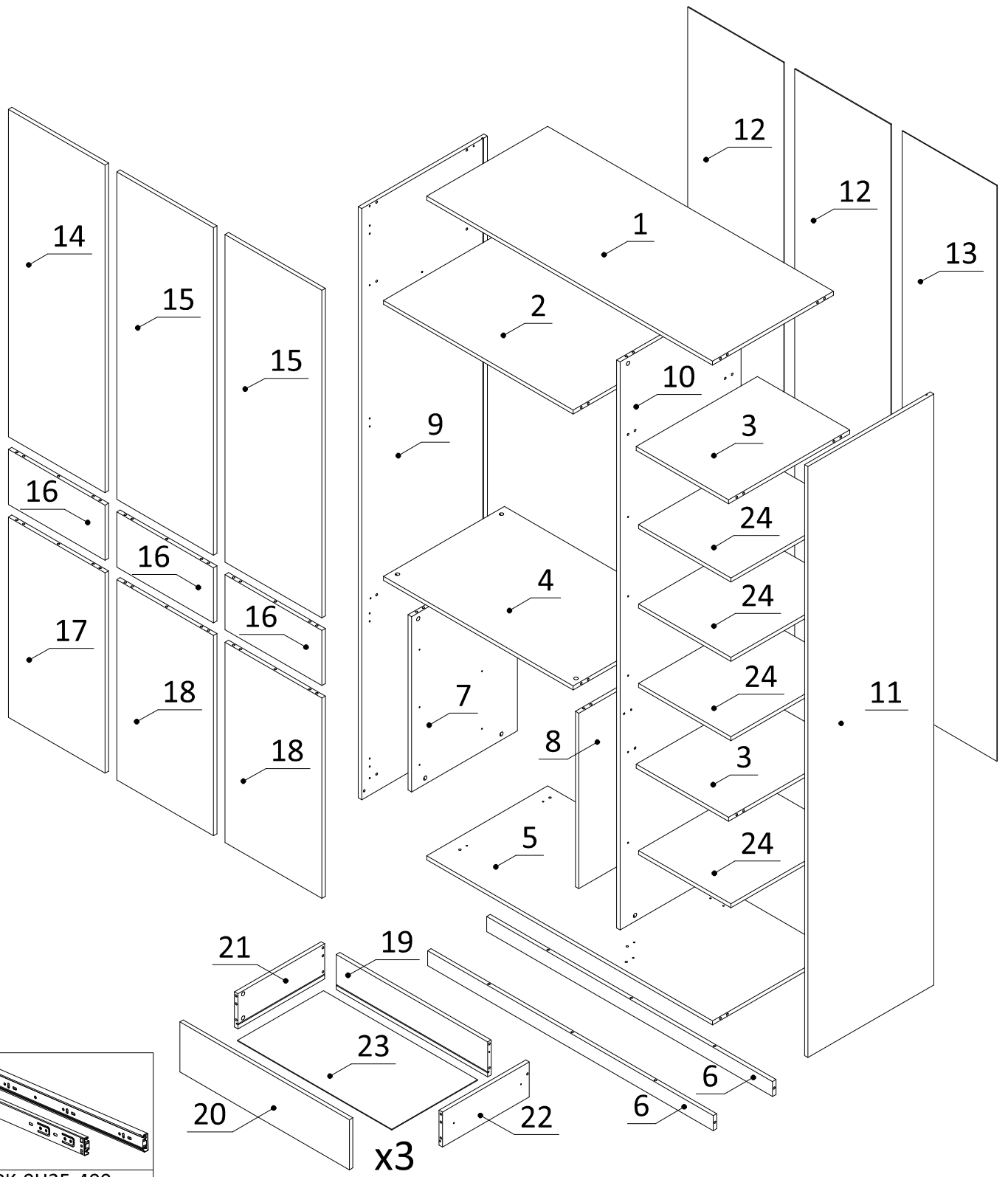


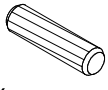


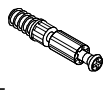

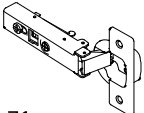
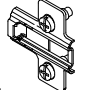
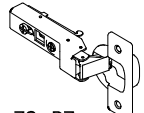
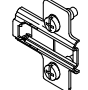
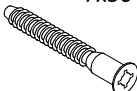




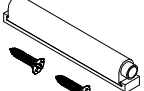
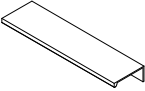

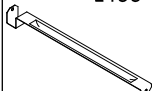
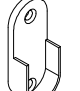
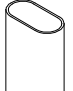
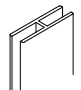

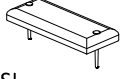

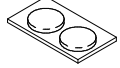
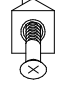



# SORENO

## Szafa 135

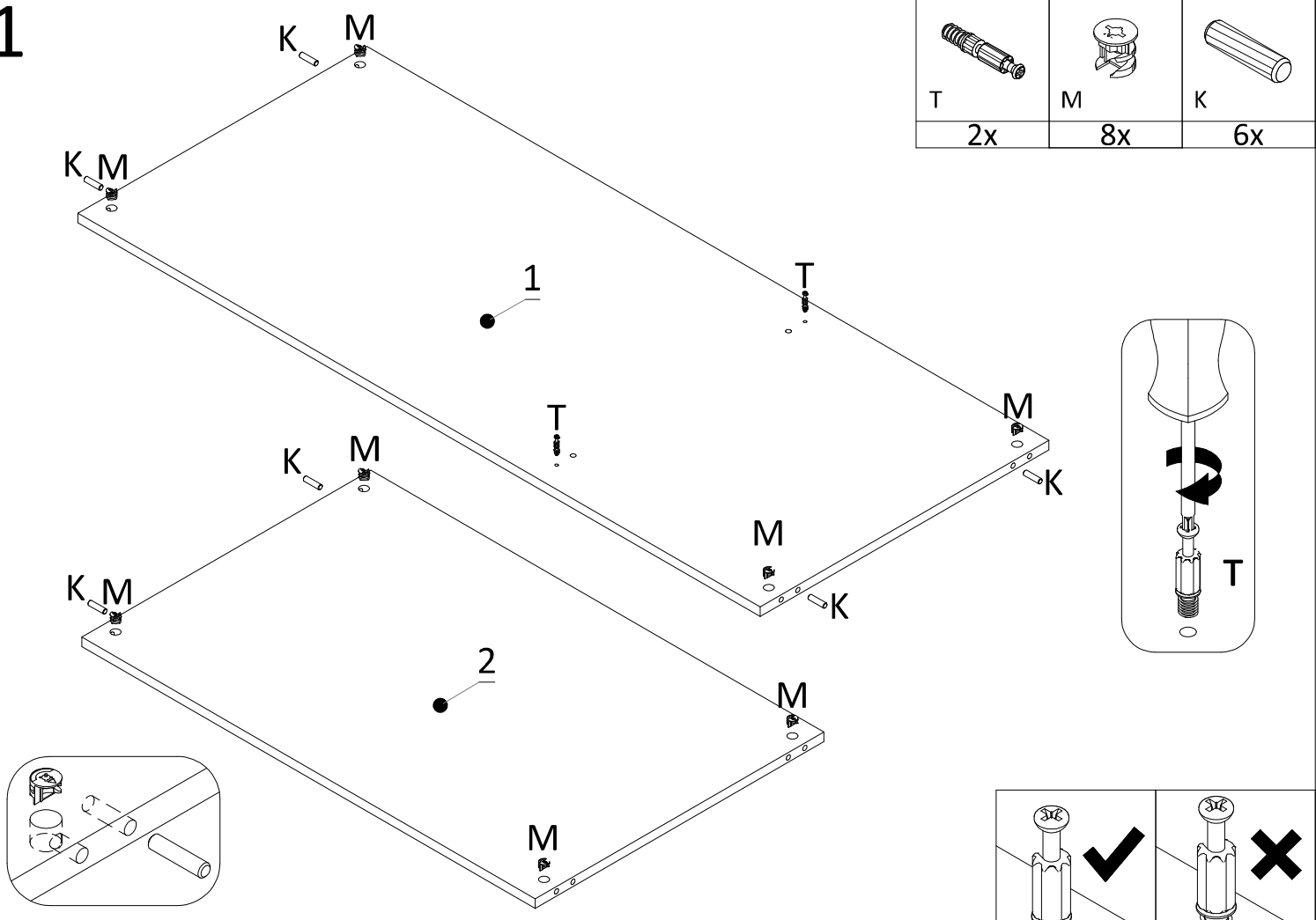




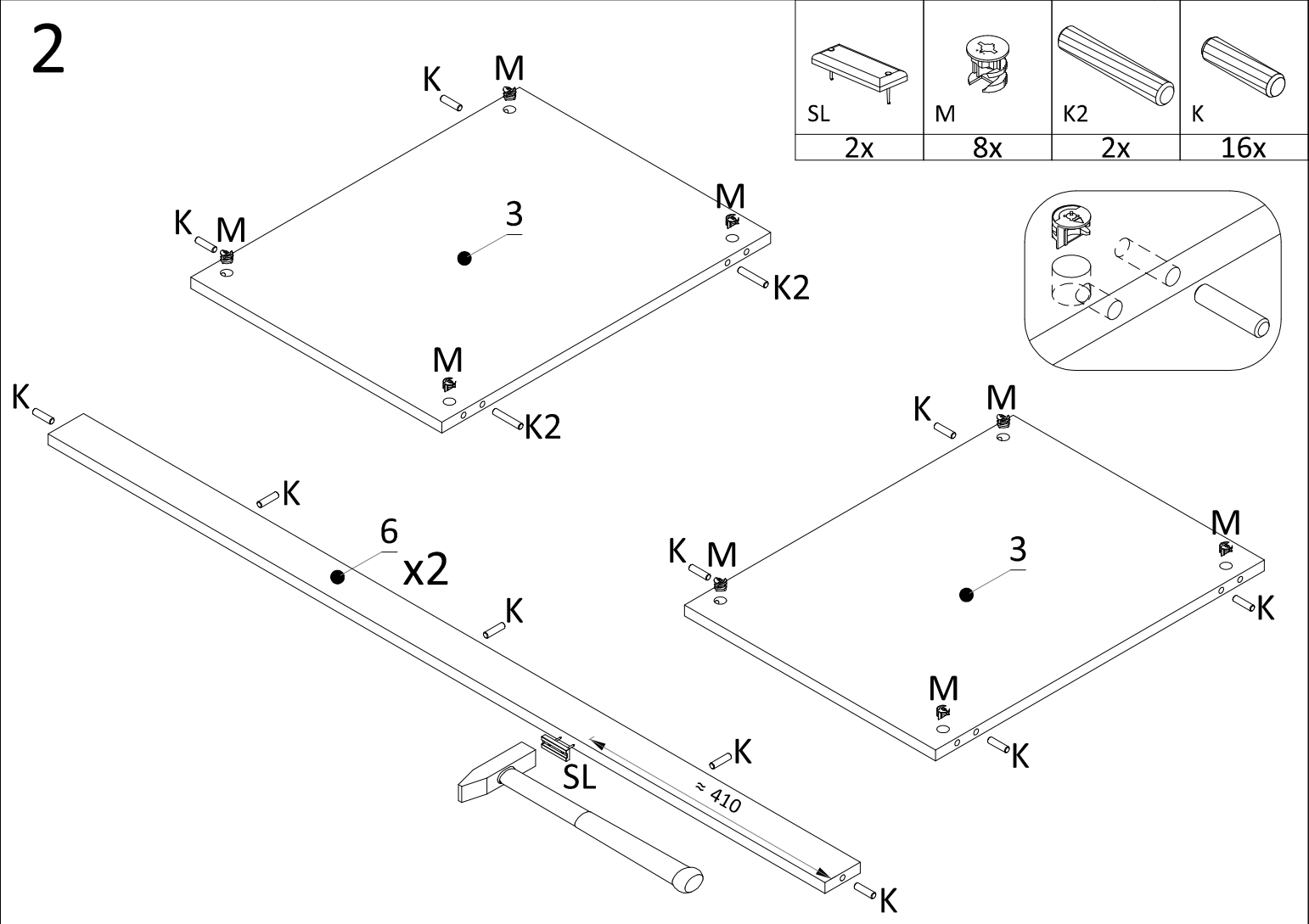
3x PK-0H35-400

 K	 K2	 M	 T	 T2	 Z1	 PZ	 Z2+PZ	 Z2+PZ		
60x	20x	72x	44x	14x	8x	8x	4x			
 KF	 E1	 W4	 W2	 W1	 TP+TW	 U	 KL	 WS	 R	
6x	24x	28x	26x	2x	1x	1x	1x	3x	2x	
 D	 H	 ZM	 SL	 P	 O	 S	 PM	 G	 PS	
1x	1x	72x	6x	16x	4x	8x	20x	56x	1x	

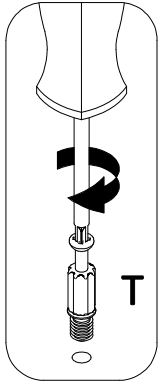
# 1



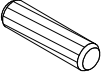


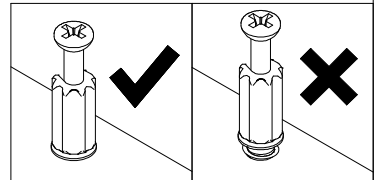
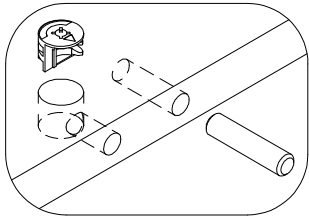
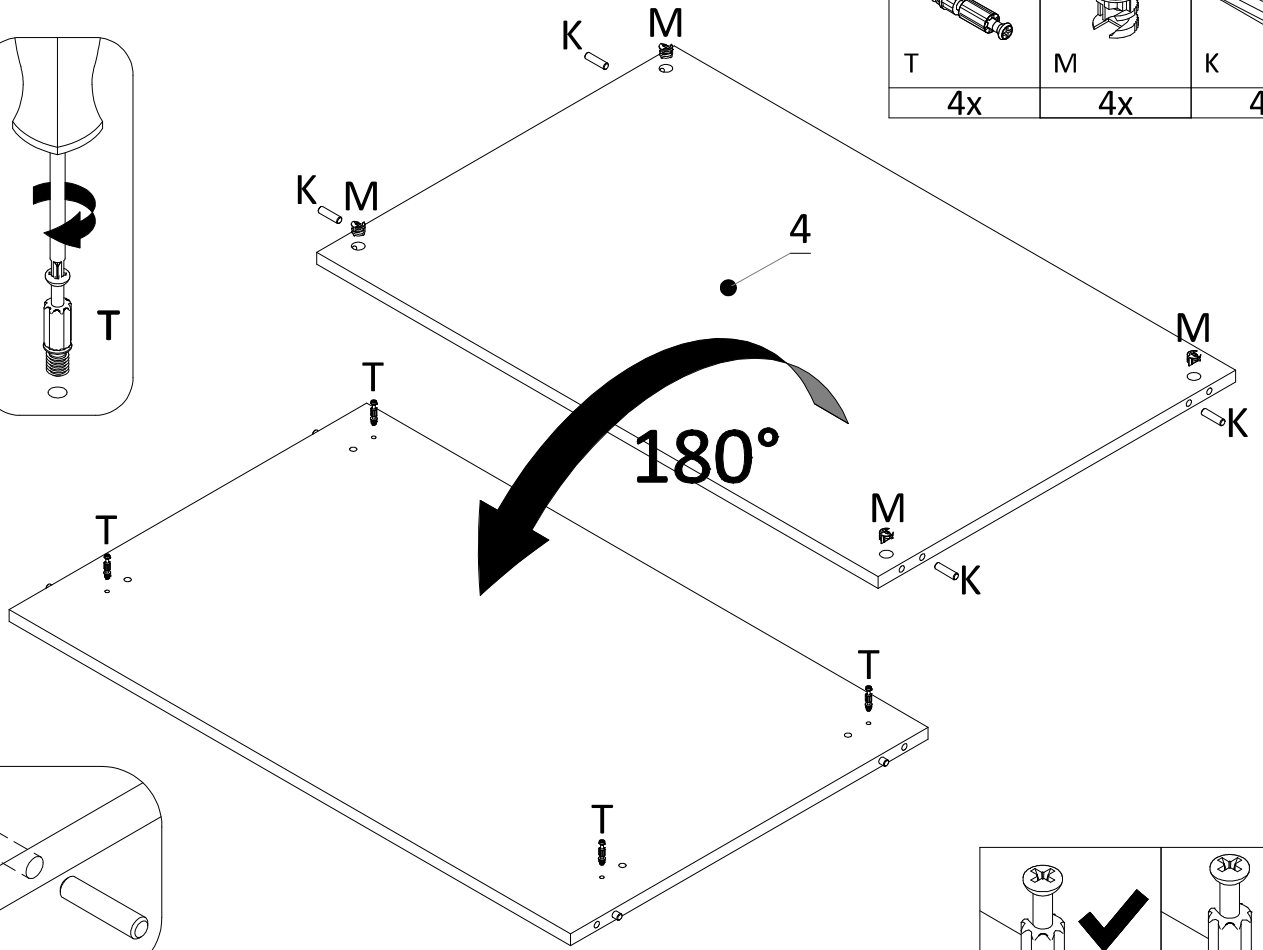
# 2



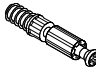

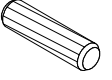
3

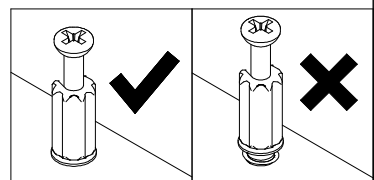
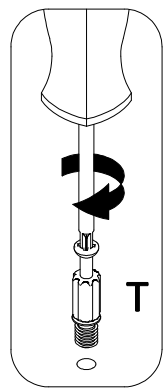
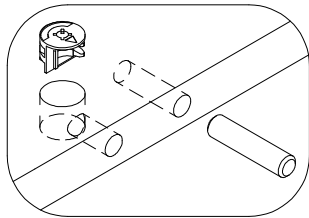
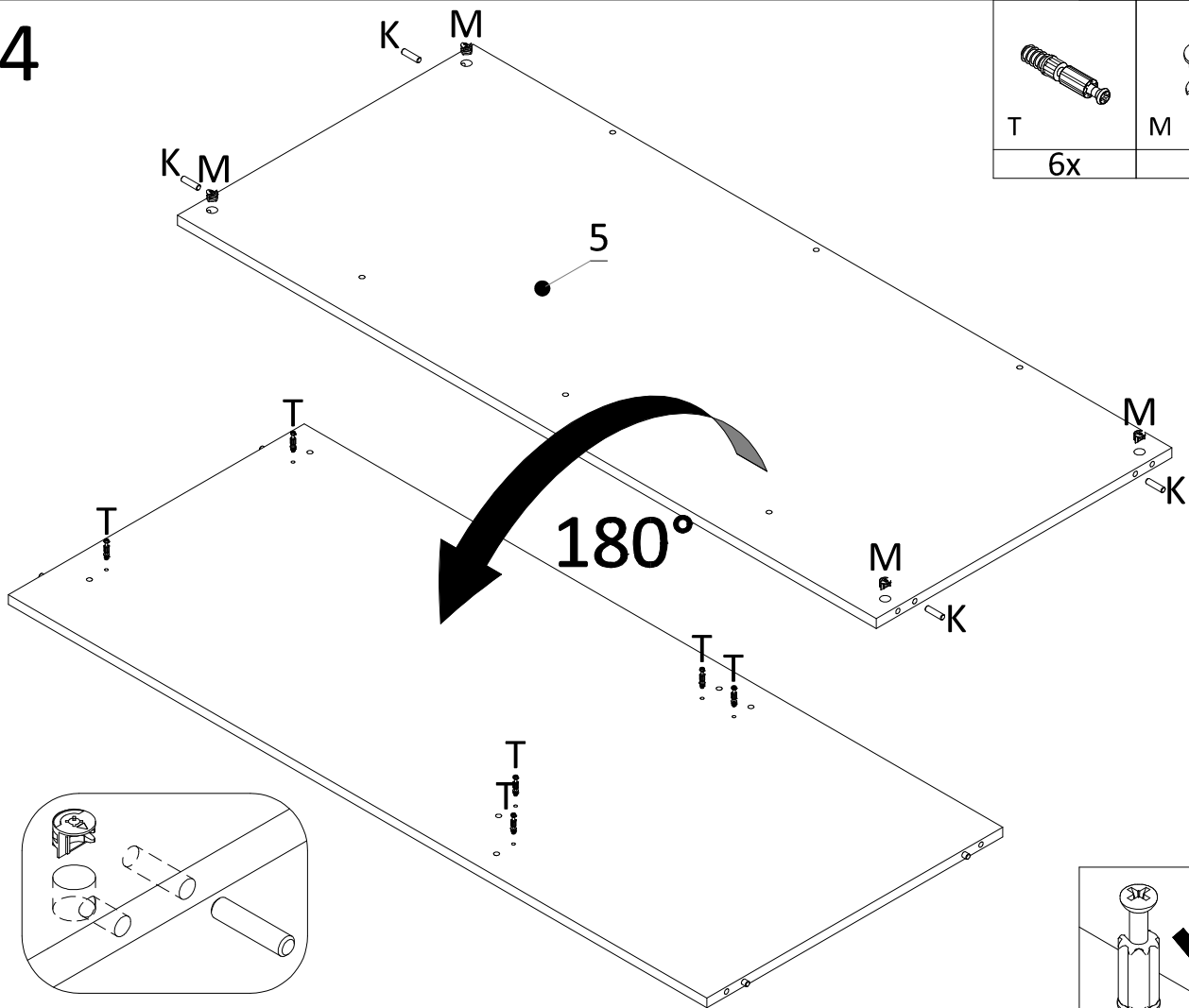


		
T	M	K
4x	4x	4x

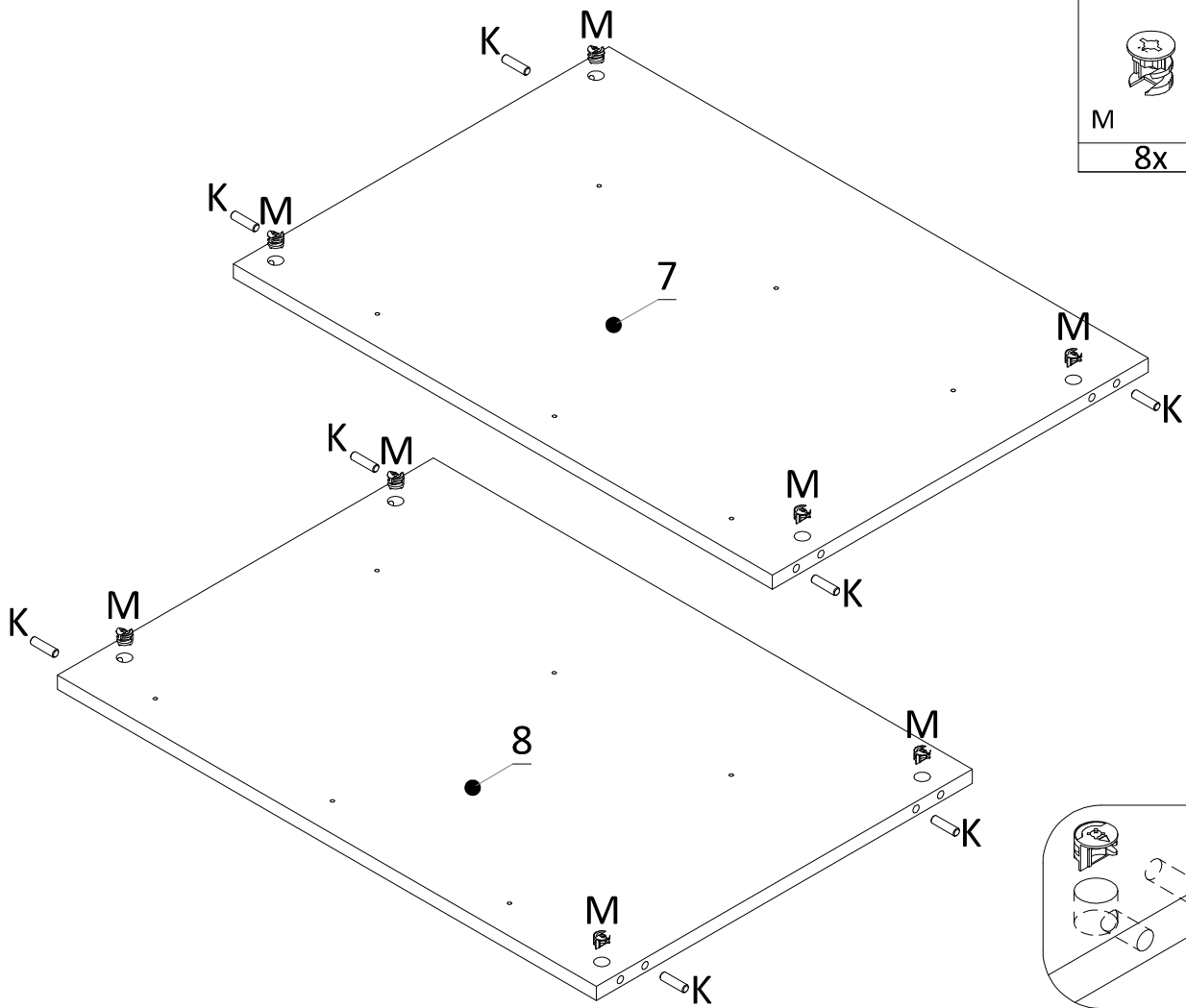



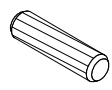
4

		
T	M	K
6x	4x	4x

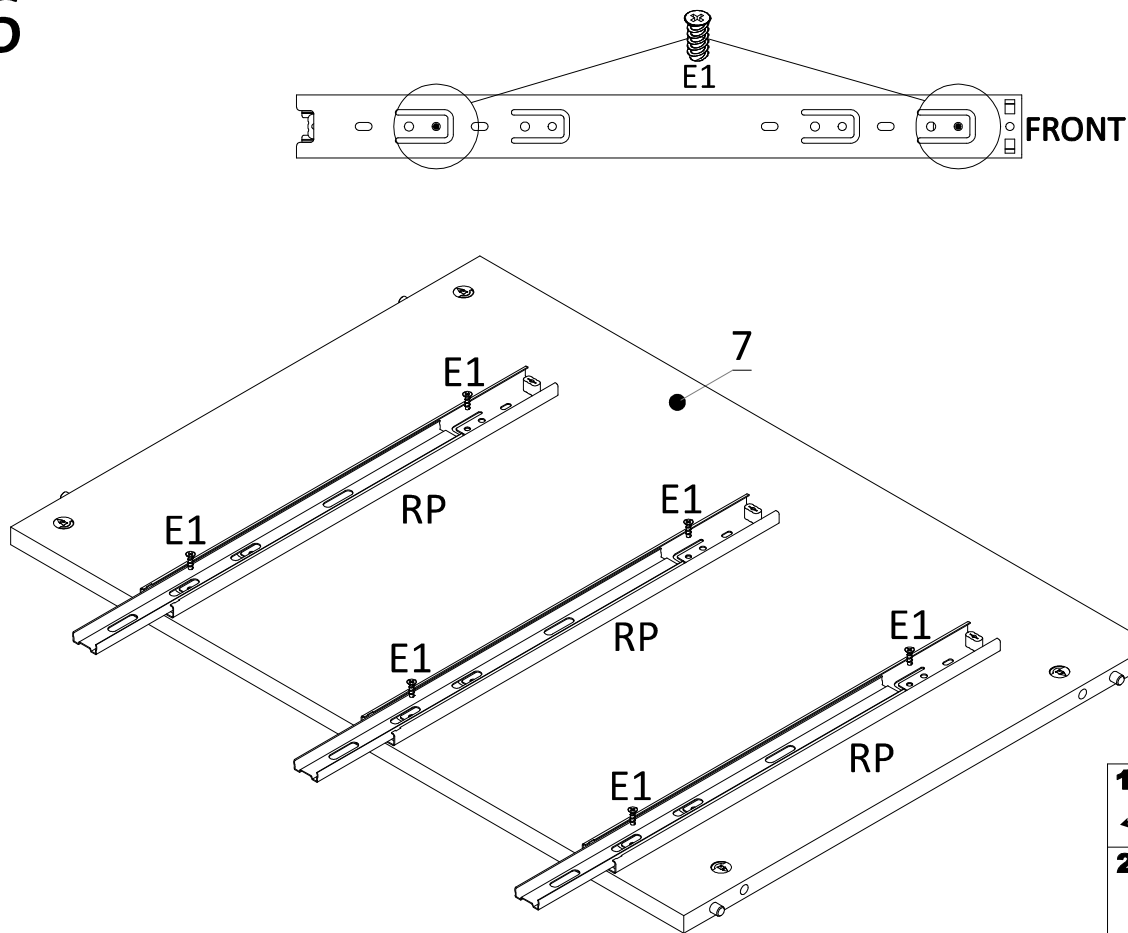



5

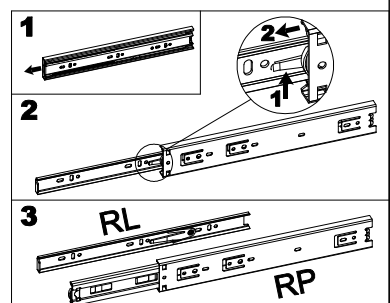
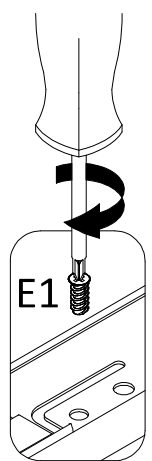


	
M	K
8x	8x

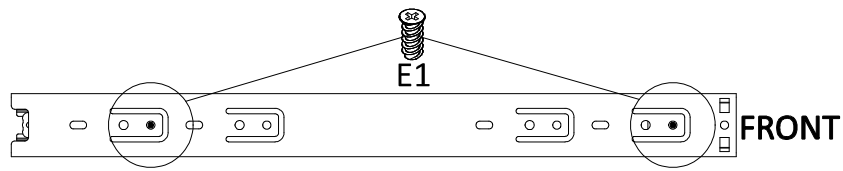
6



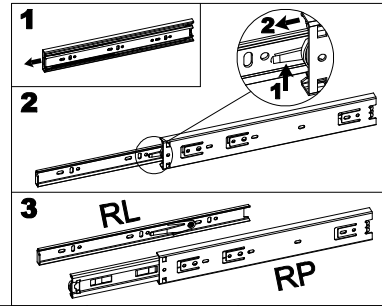
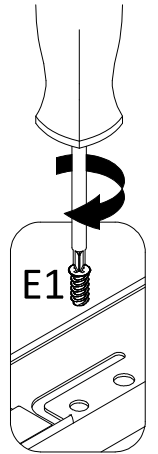
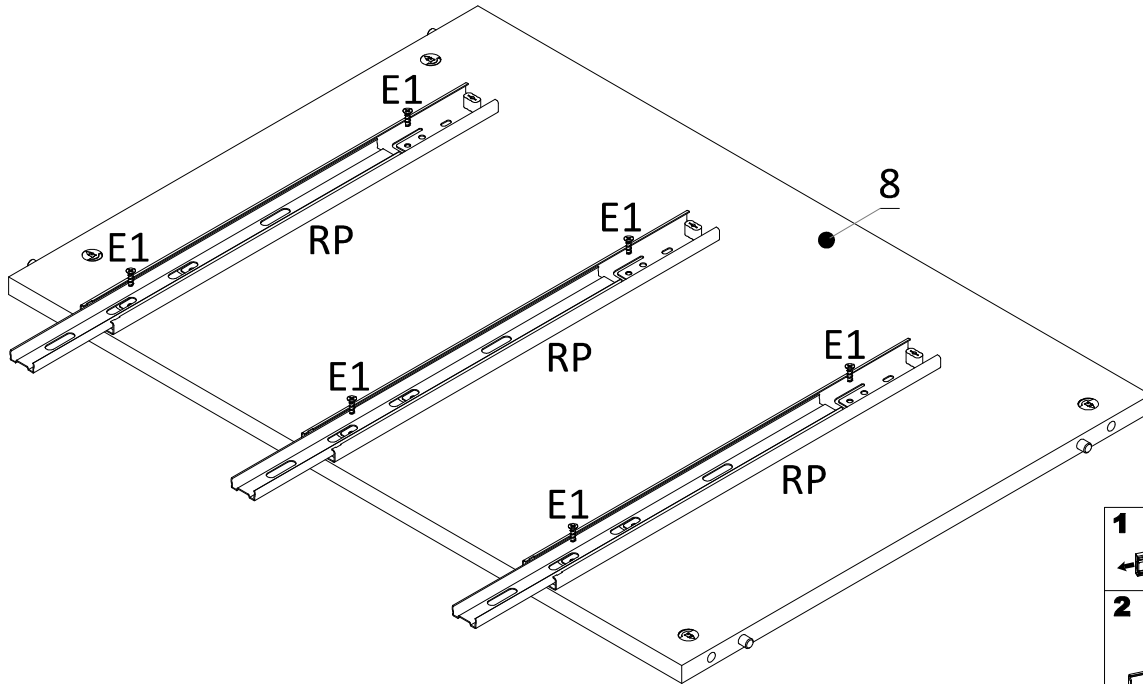

E1
6x



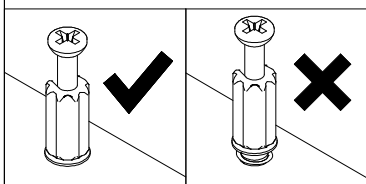
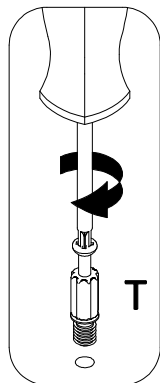
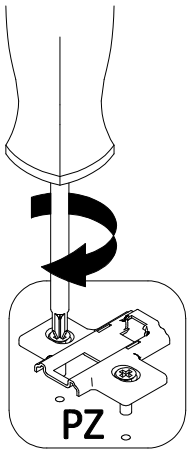
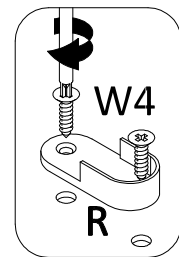
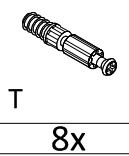
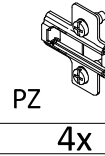
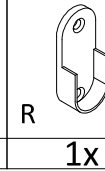
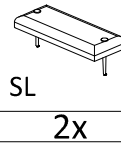
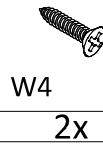
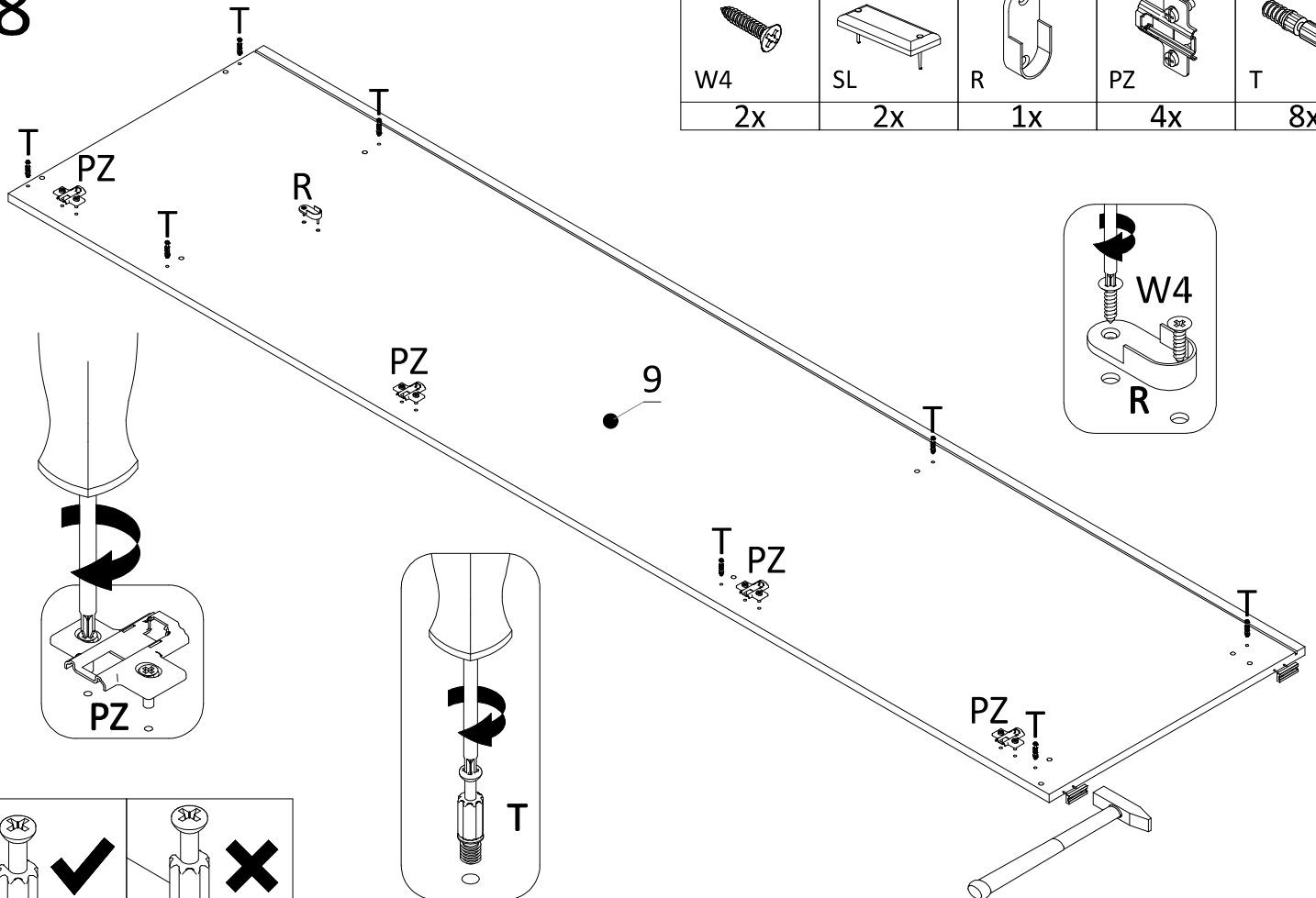
# 7



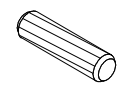

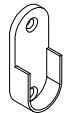
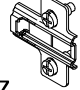
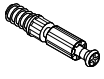
E1  
6x

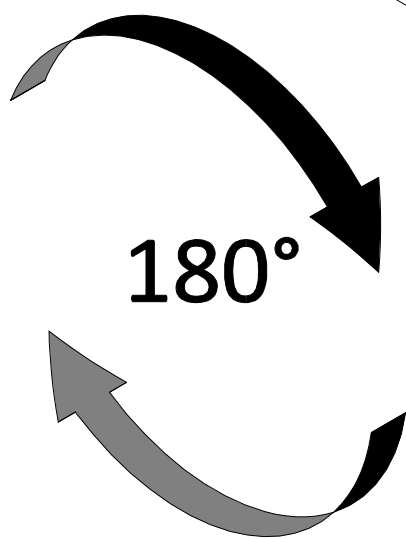
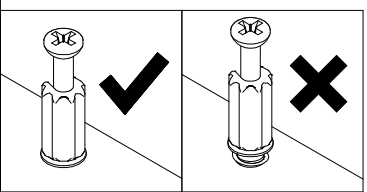
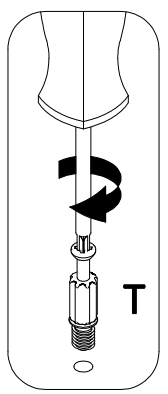
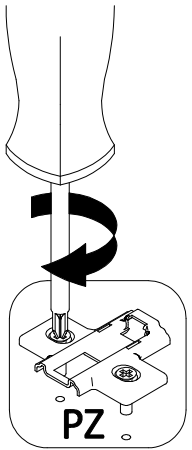
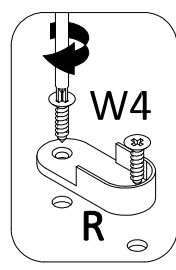
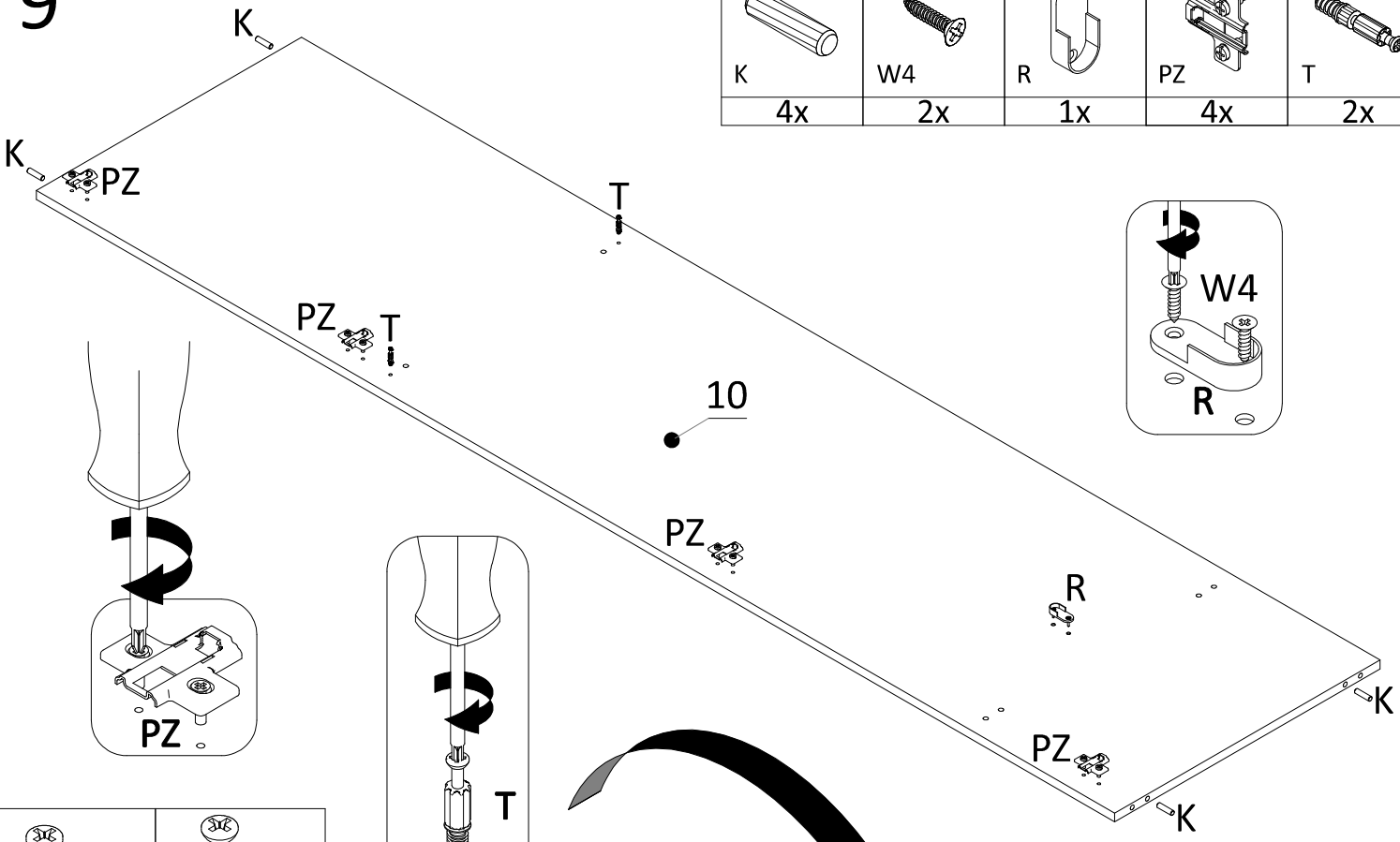


# 8






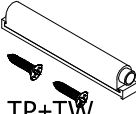
9

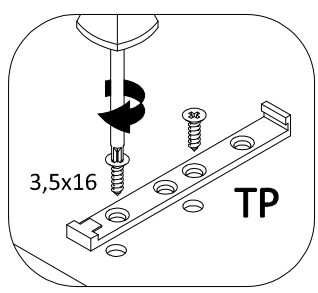
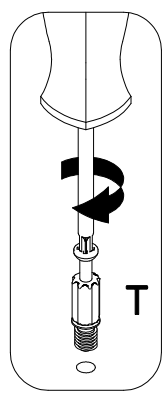
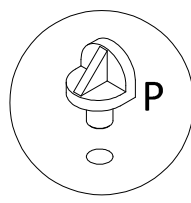
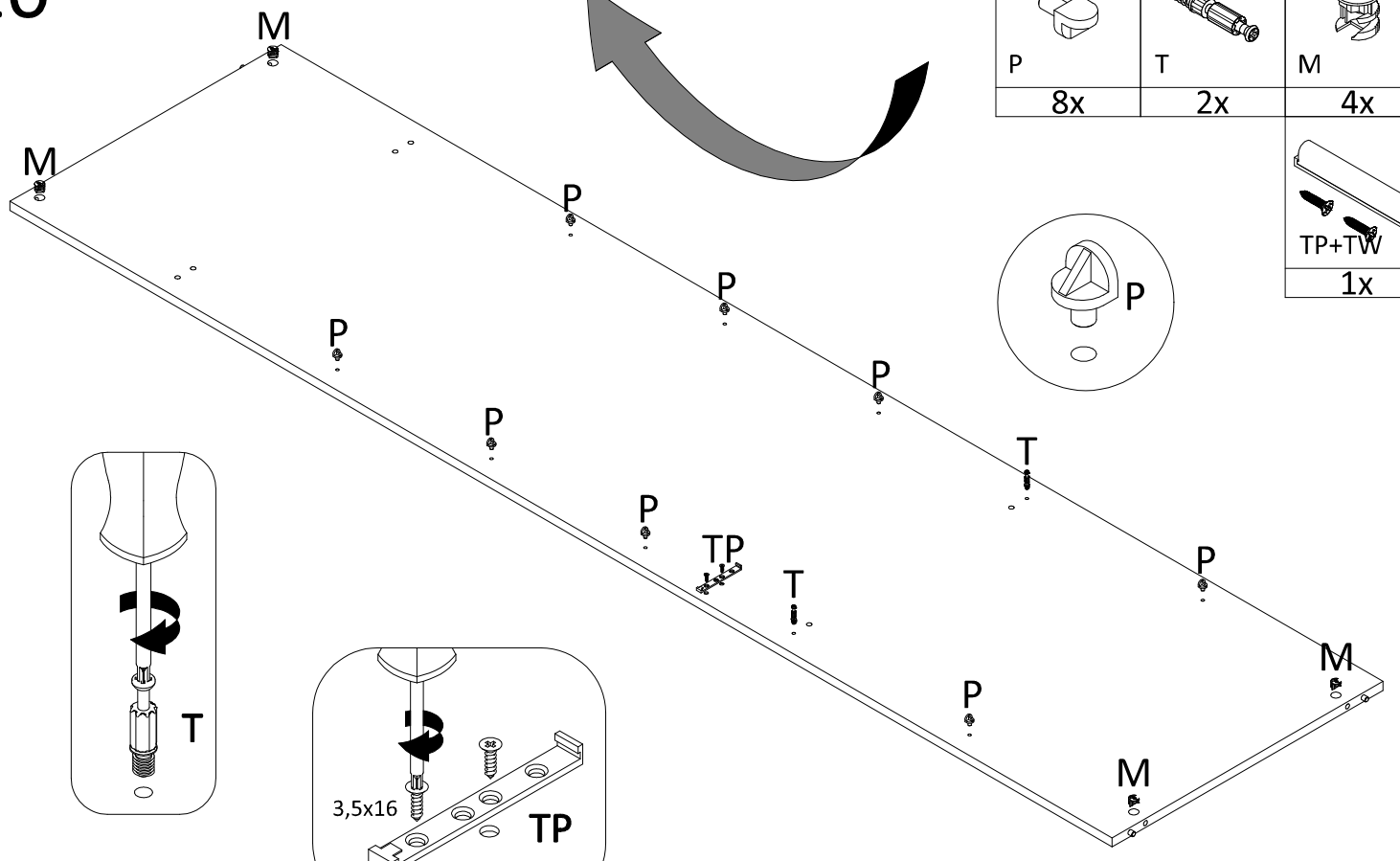
				
K	W4	R	PZ	T
4x	2x	1x	4x	2x



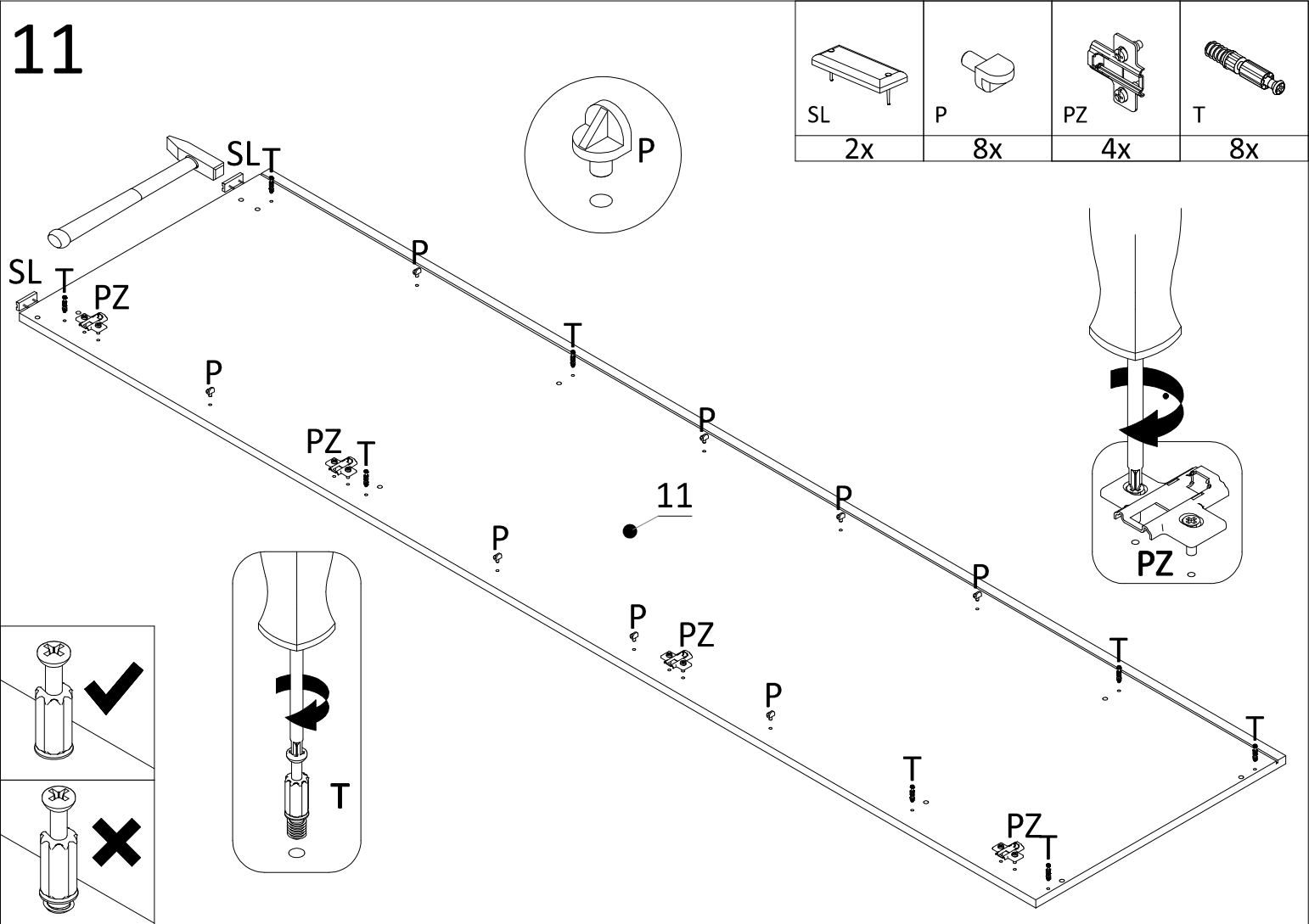
10

		
P	T	M
8x	2x	4x

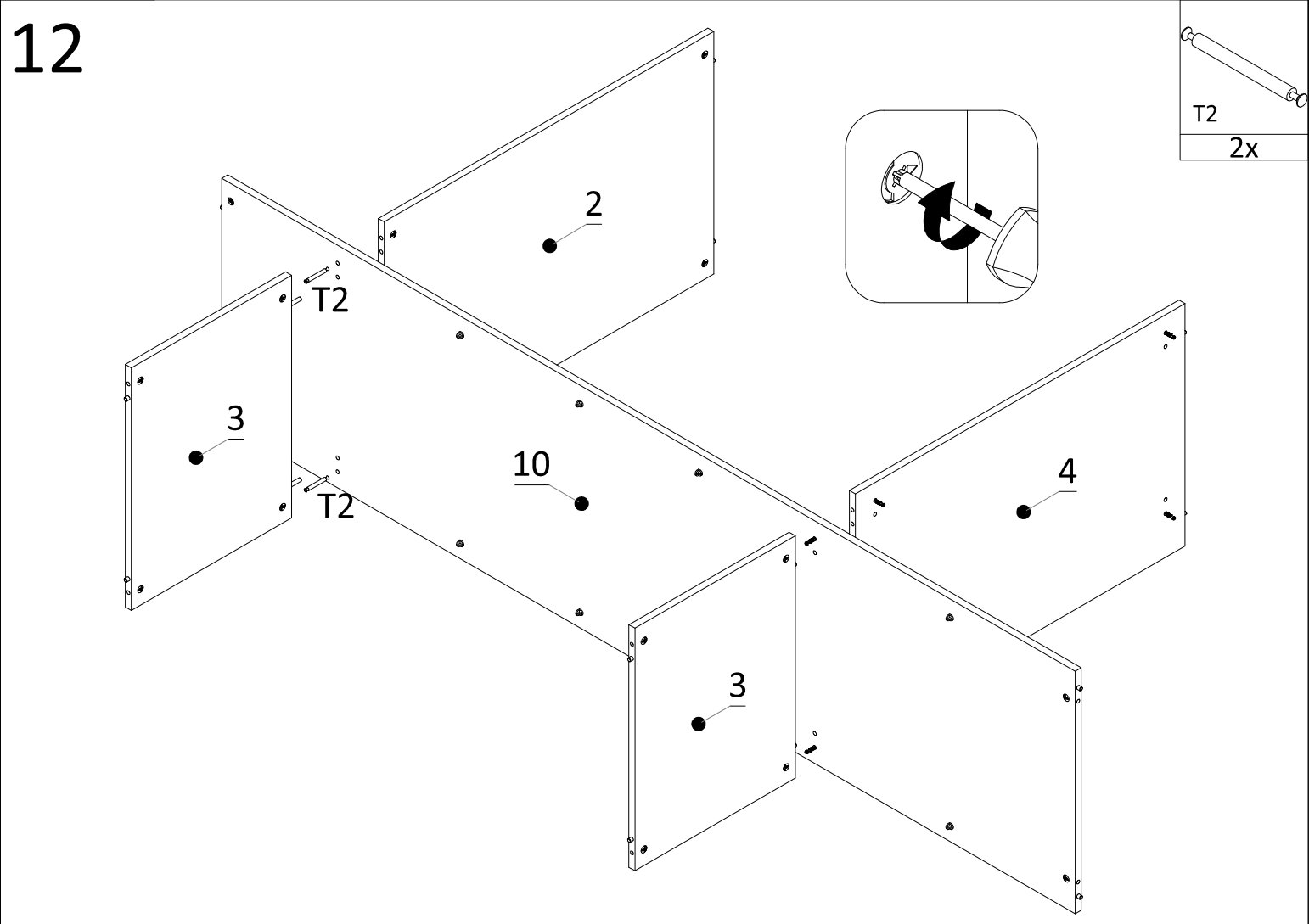

TP+TW
1x



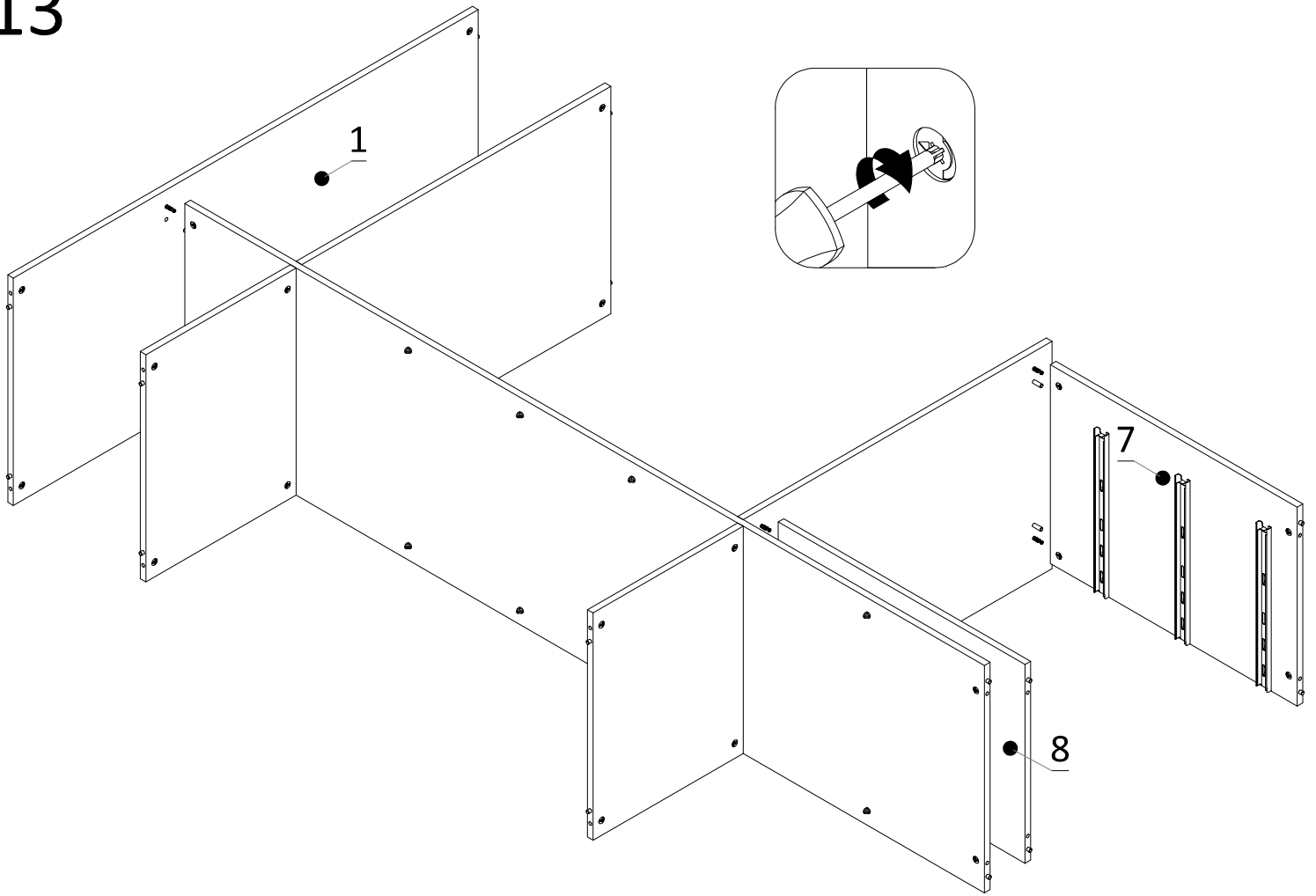
# 11



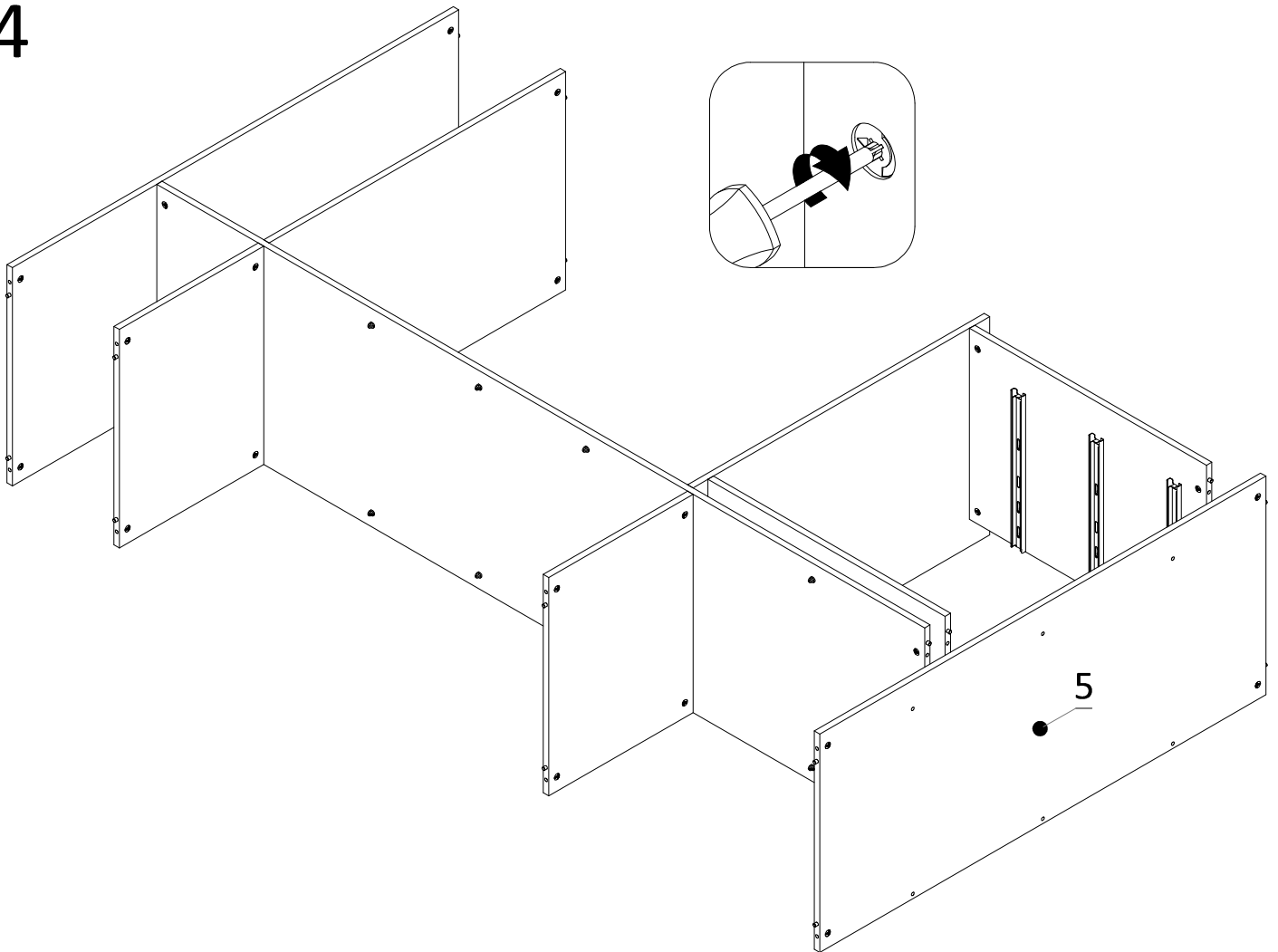
# 12



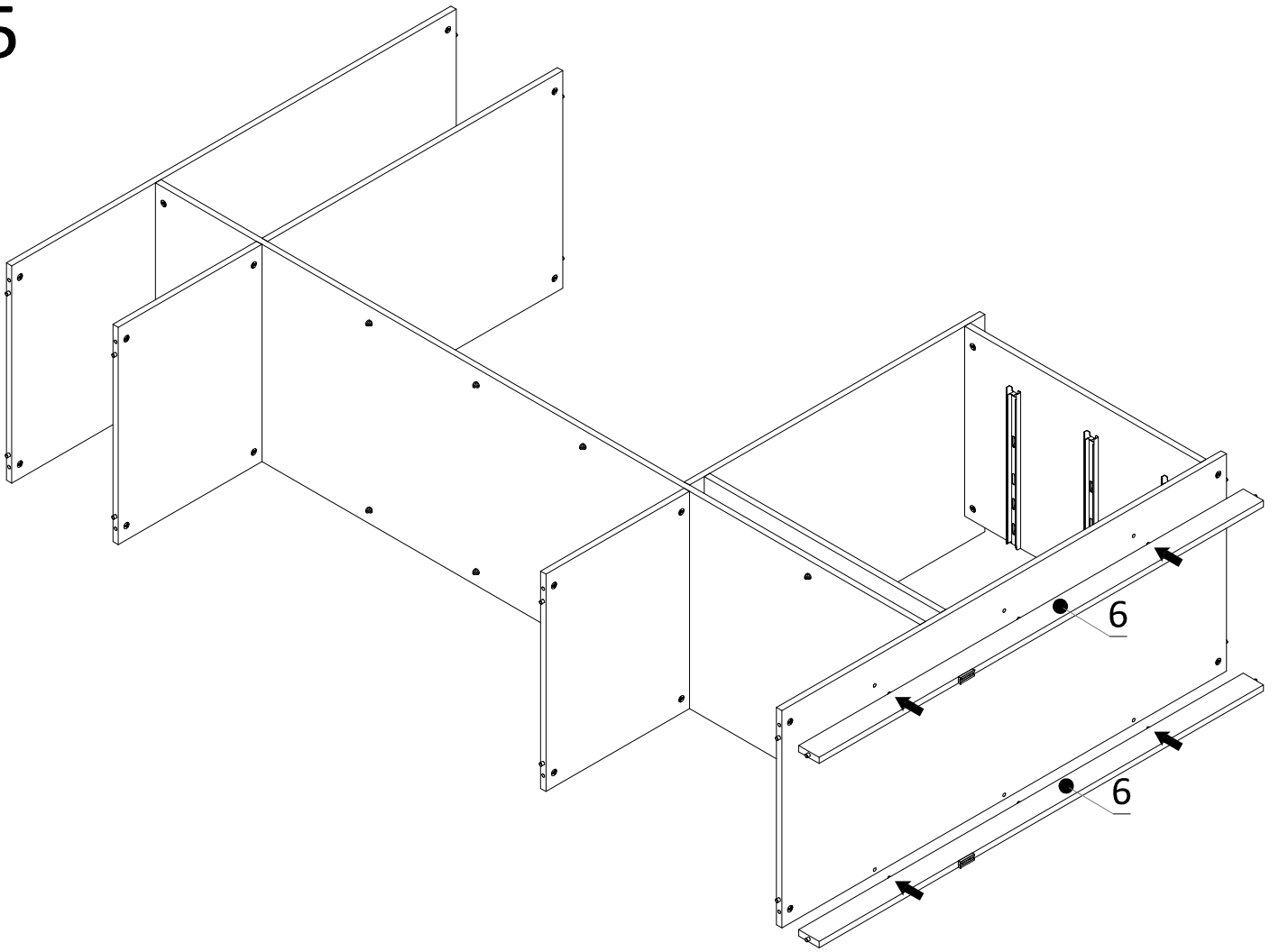
13



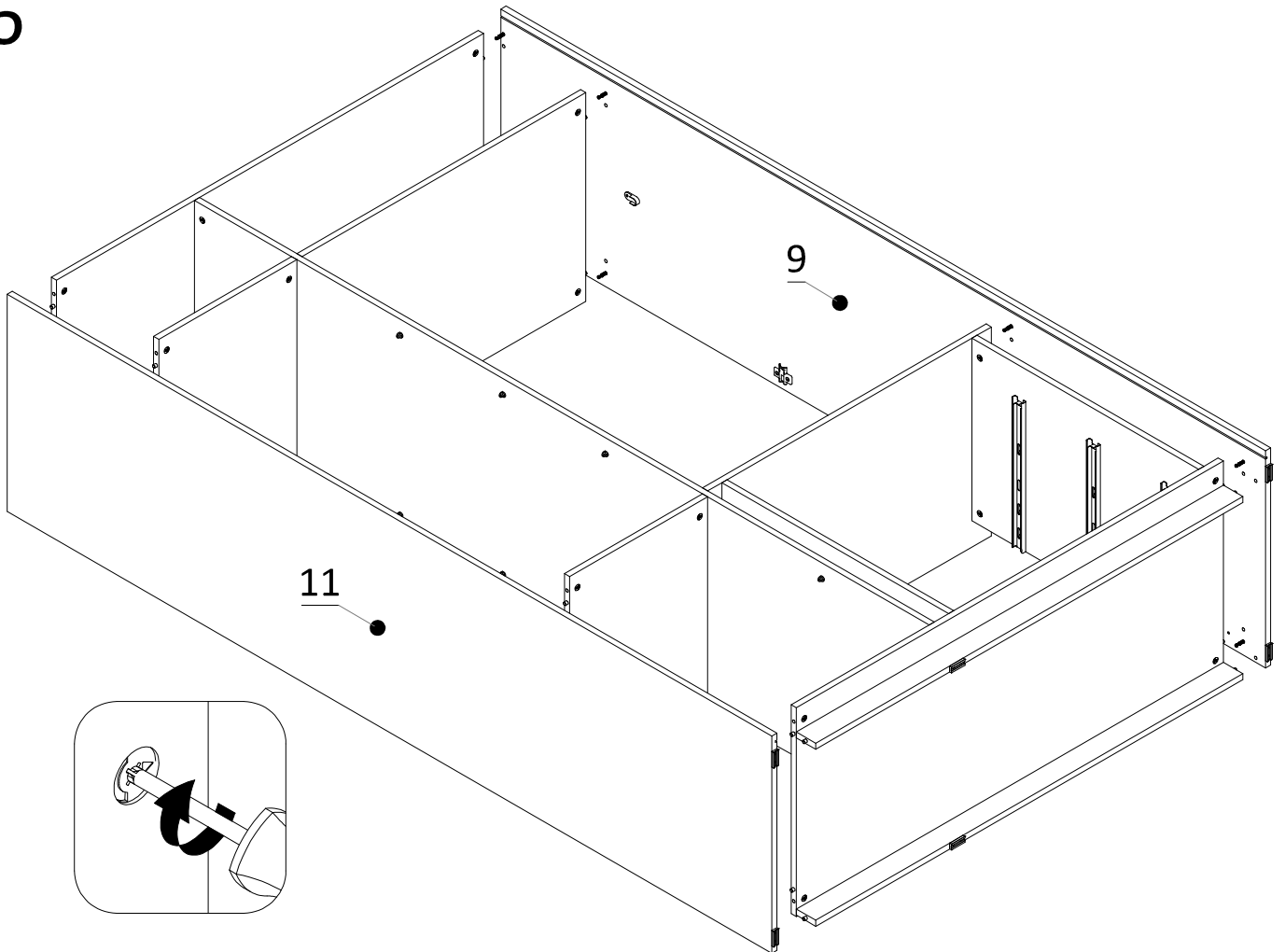
14



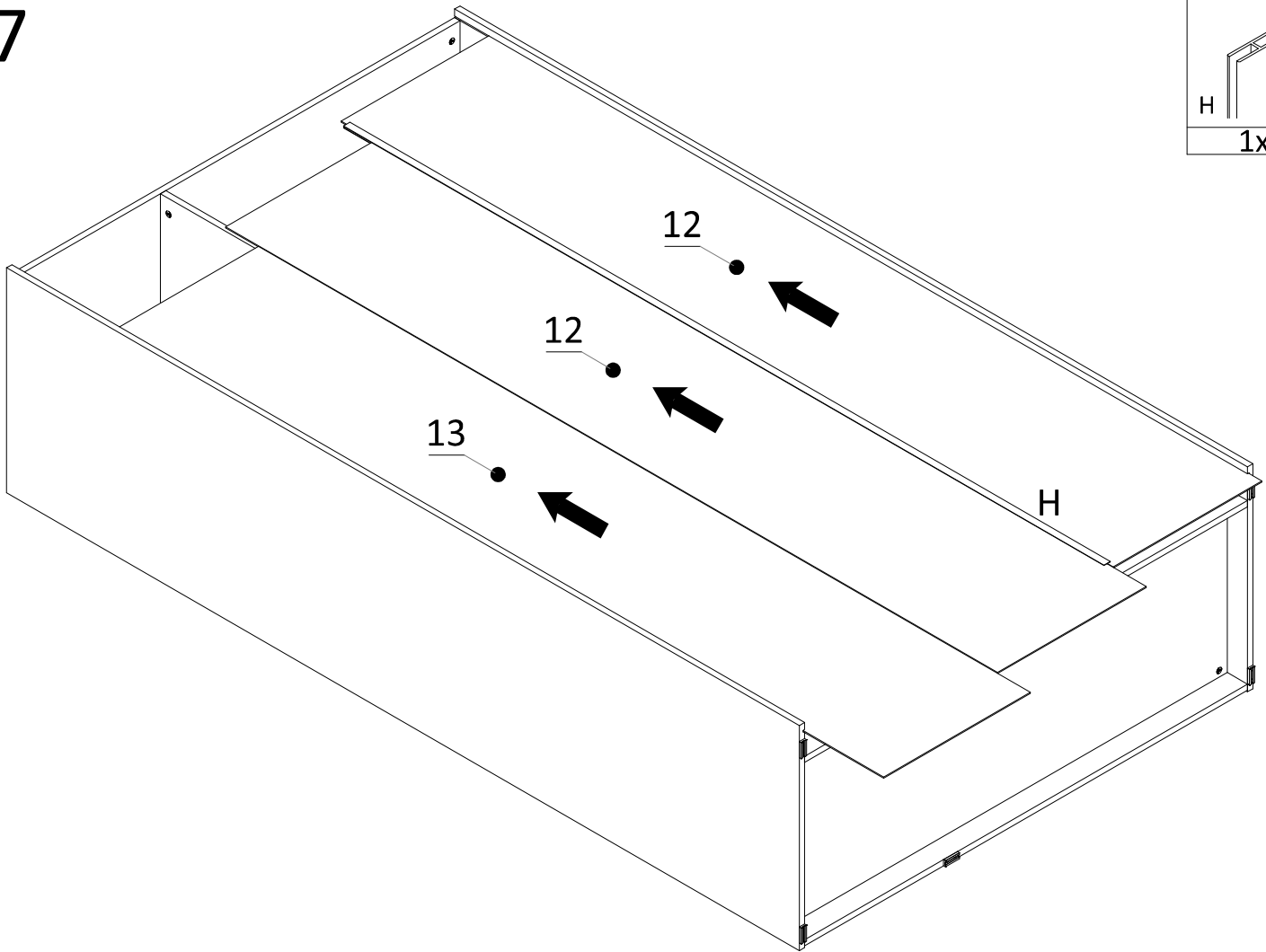
15



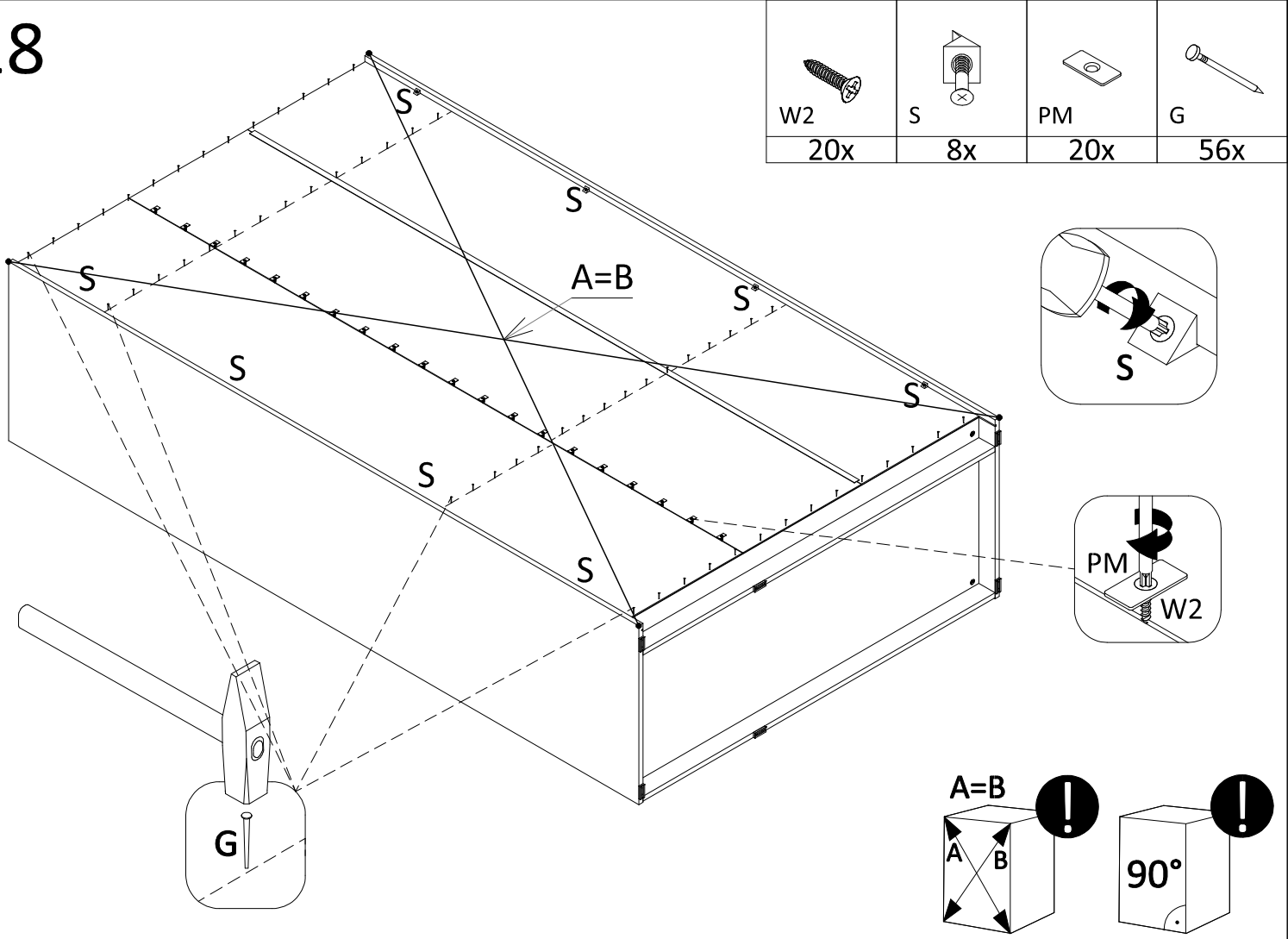
16



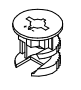
# 17

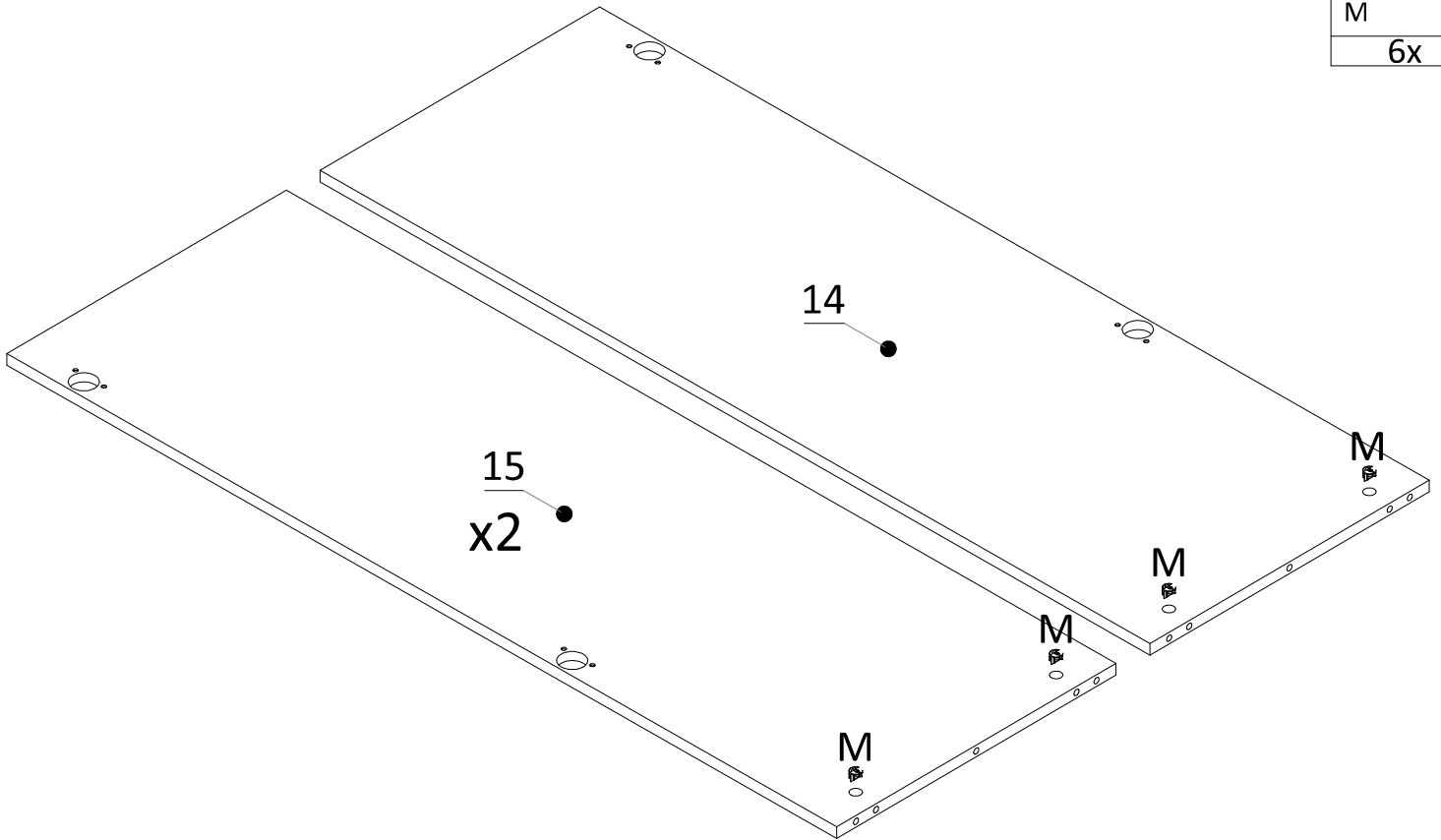


# 18

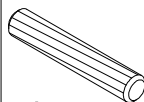



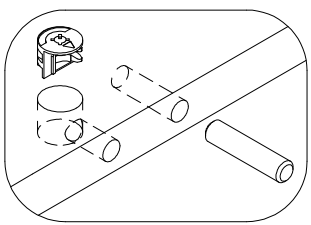
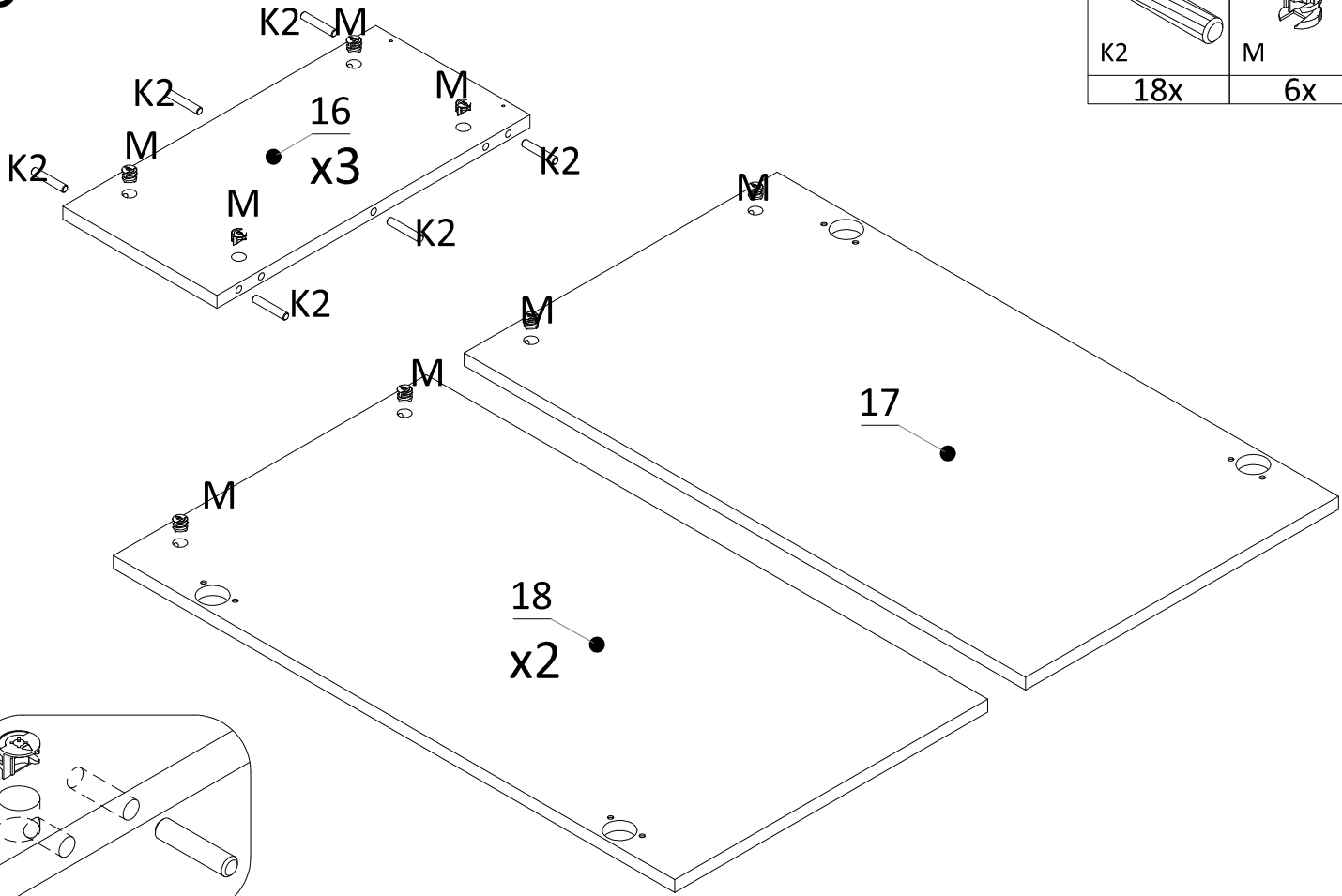
# 19


M
6x




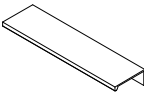
# 20

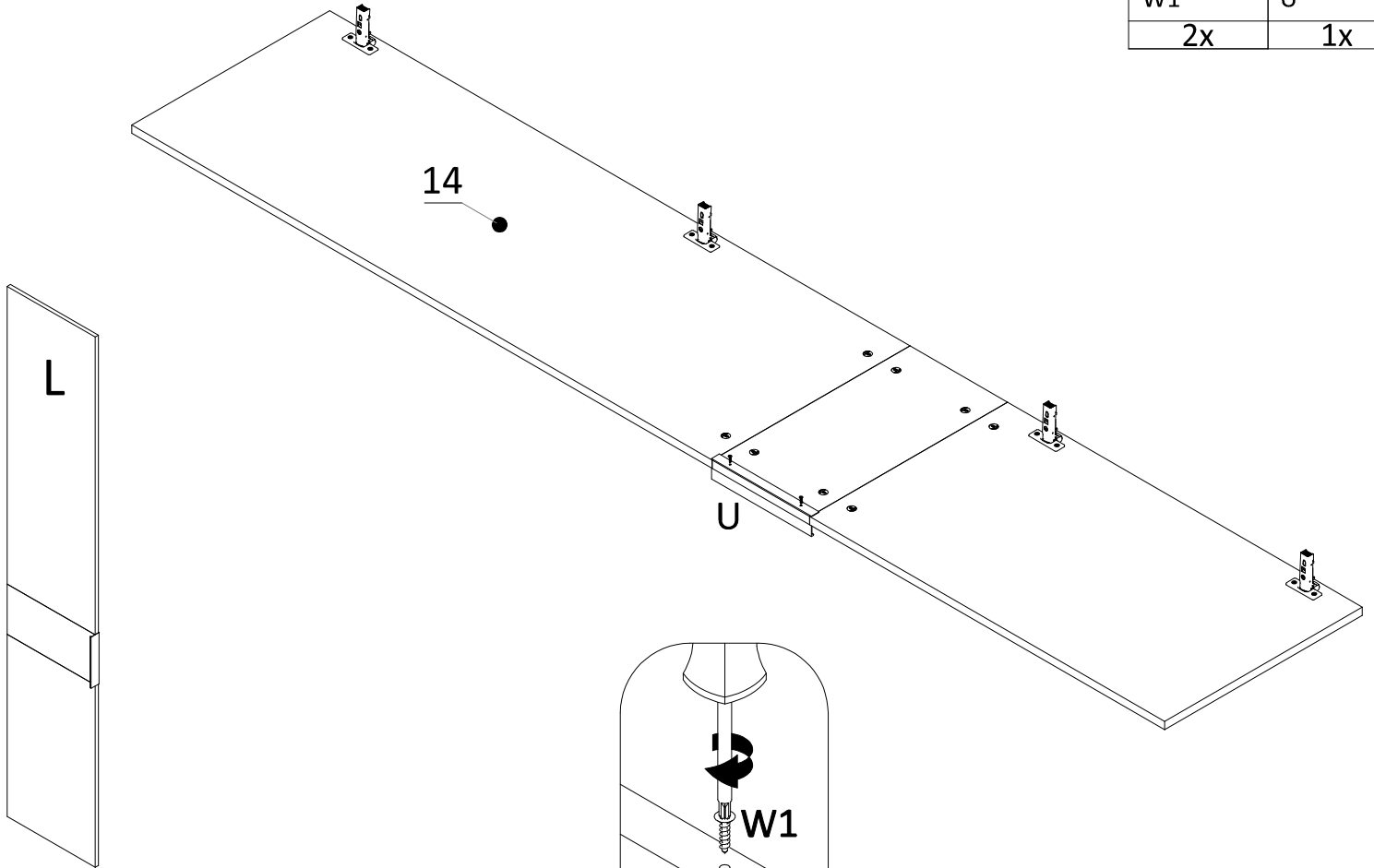
	
K2	M
18x	6x



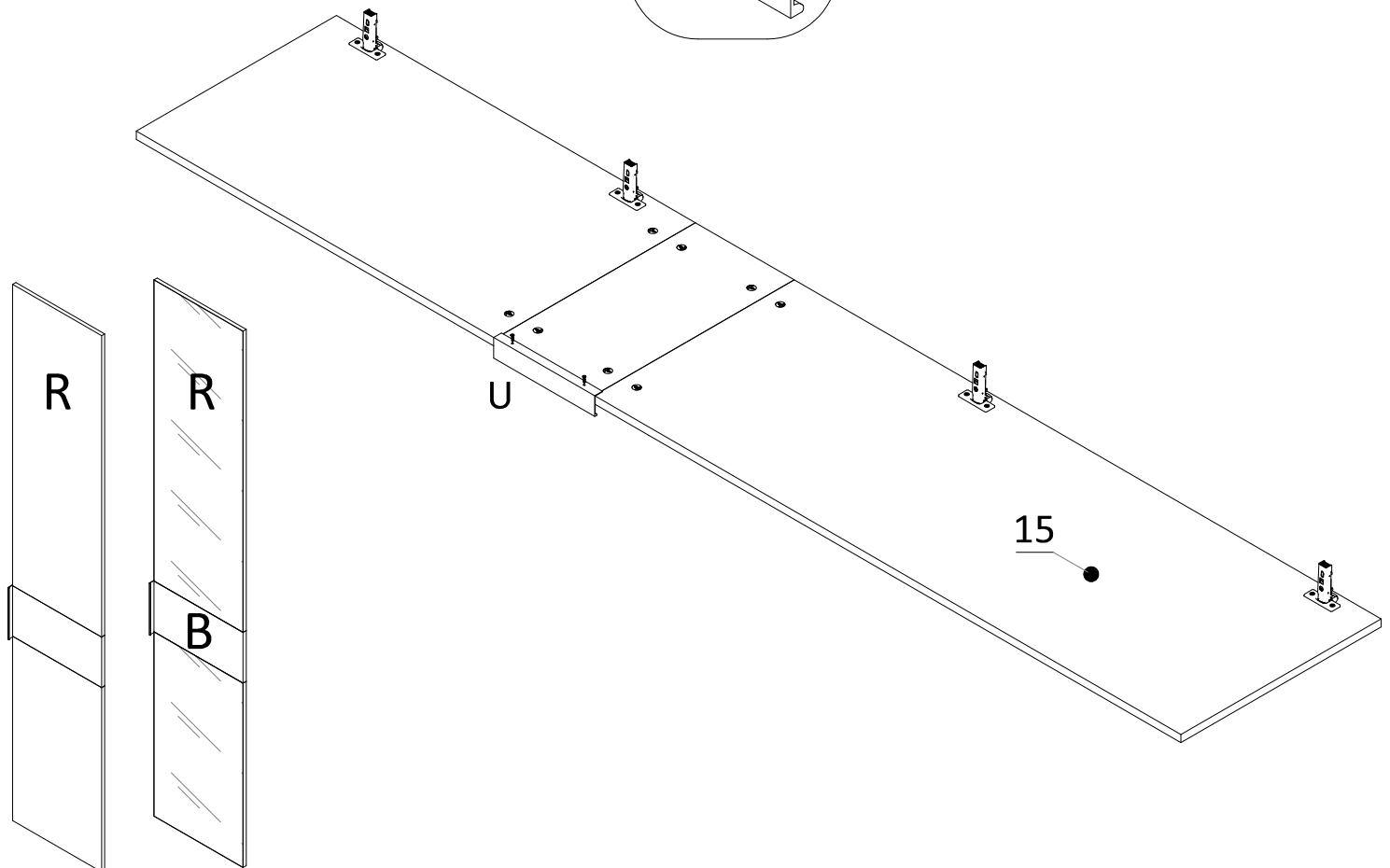


# 23 Option L

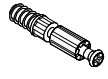
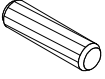
	
W1	U
2x	1x

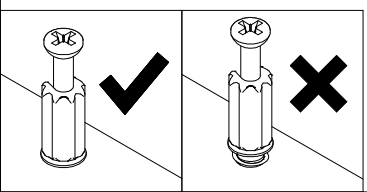
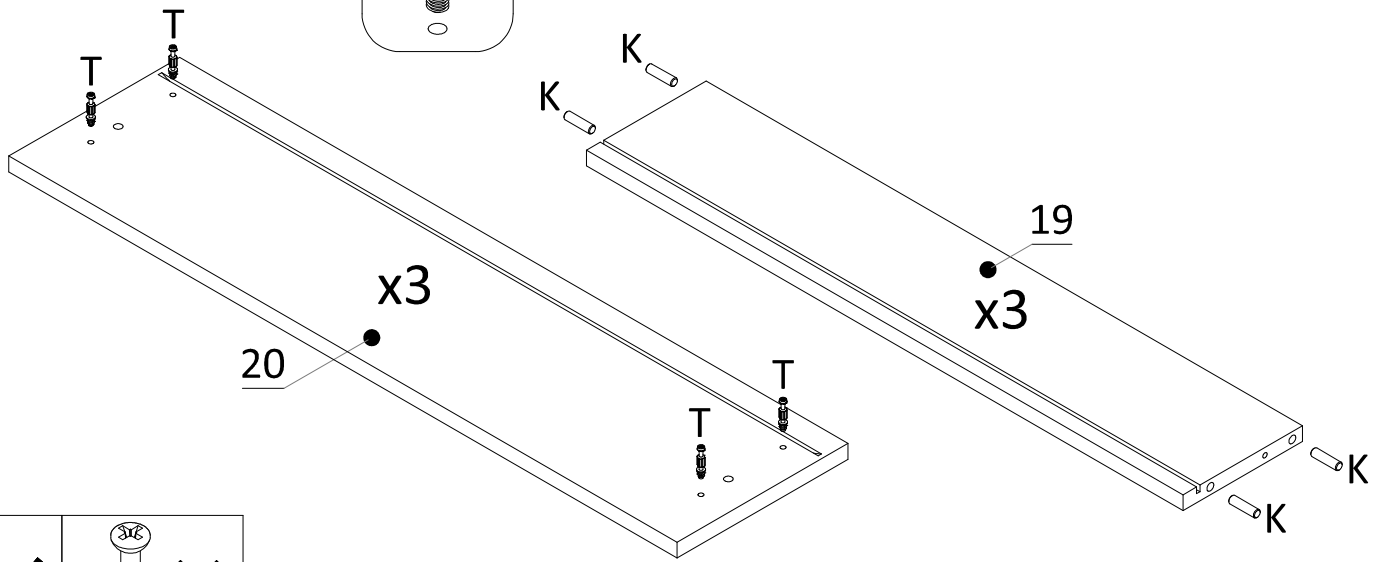
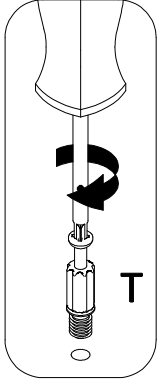


# Option R, R-B



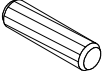
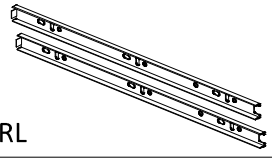


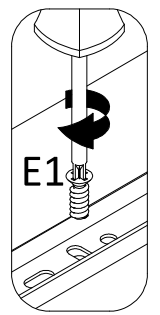
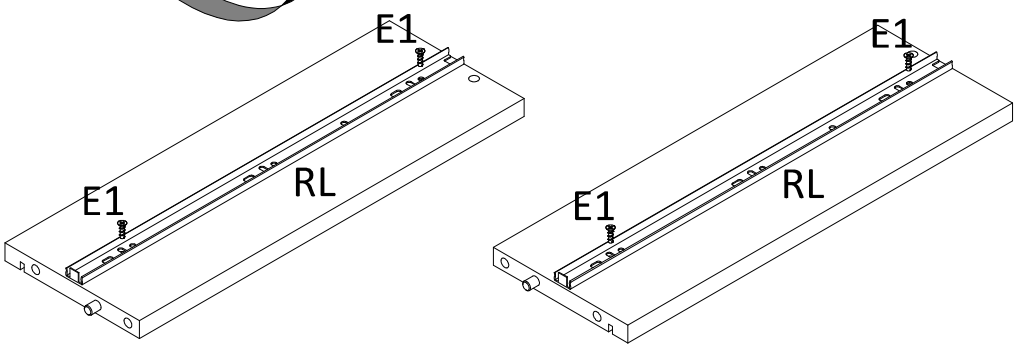
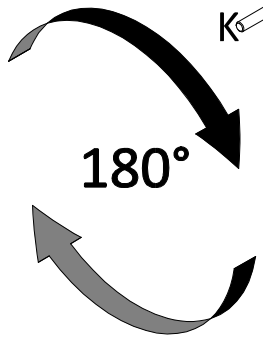
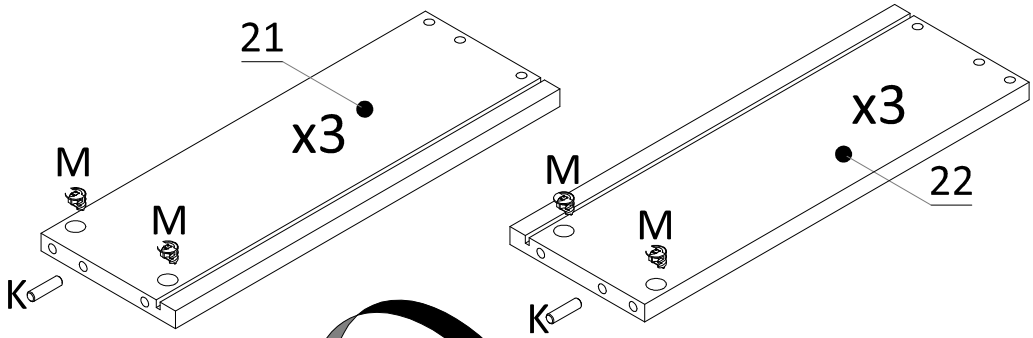
# 24

	
T	K
12x	12x

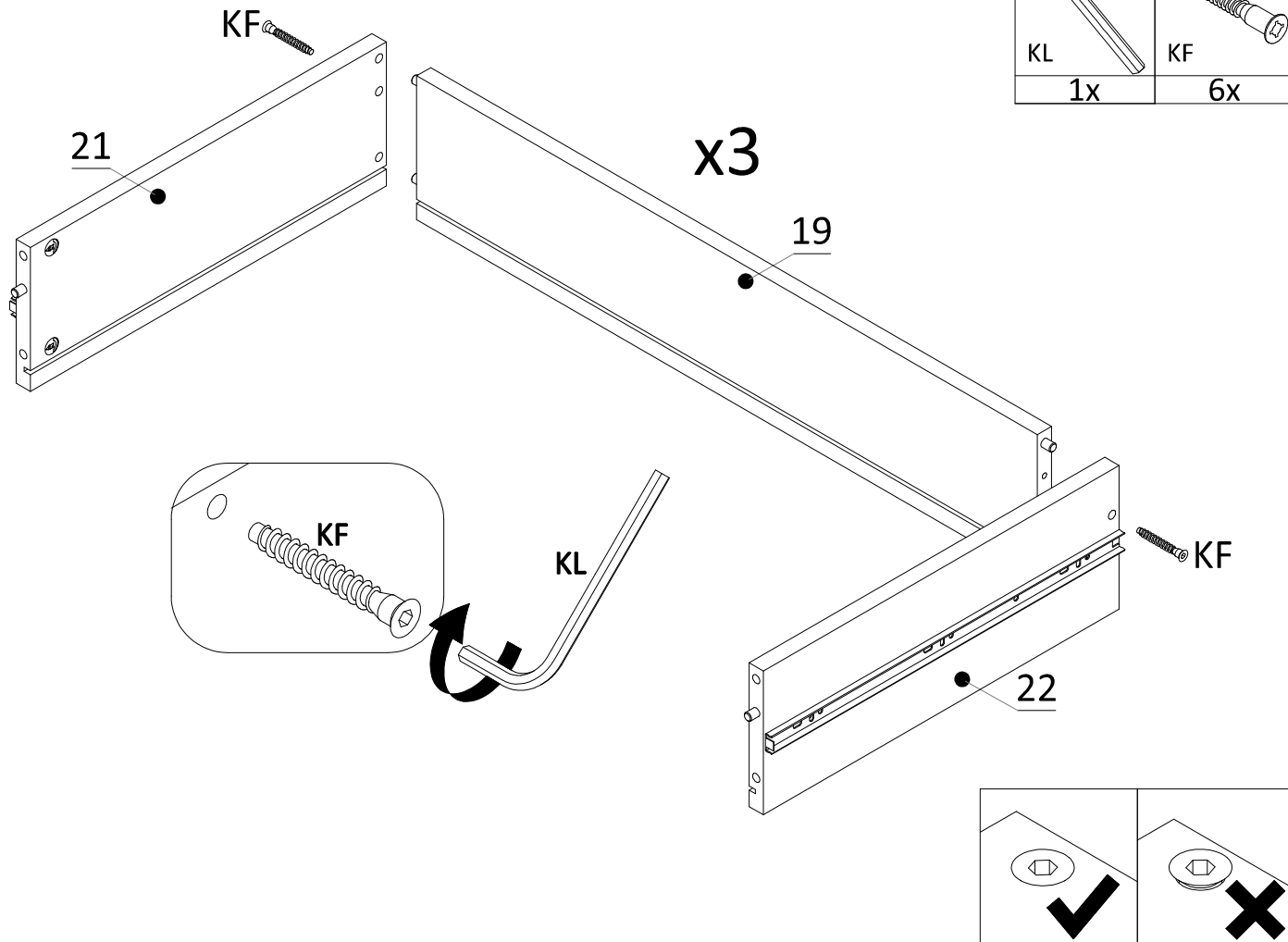


# 25

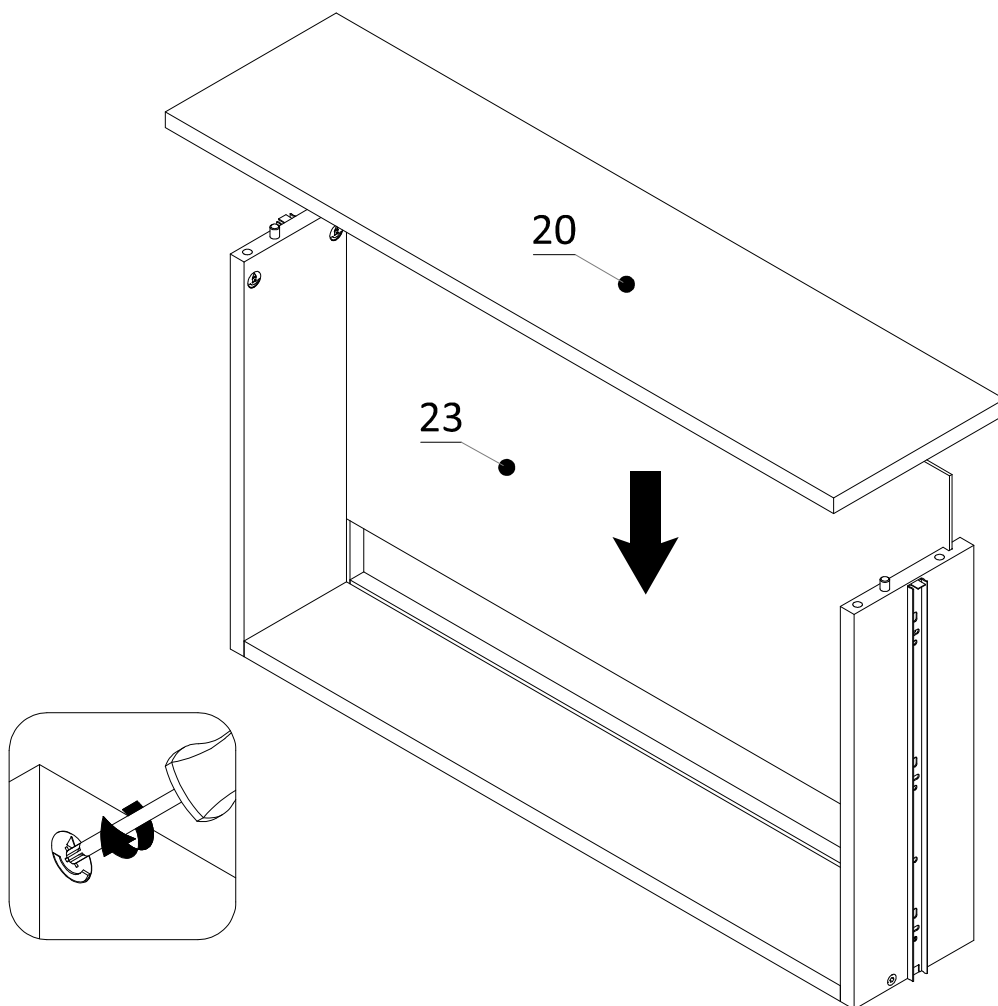
		
E1	M	K
12x	12x	6x
		
RL		
3x		



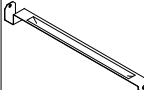

# 26



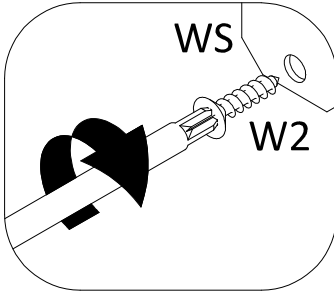
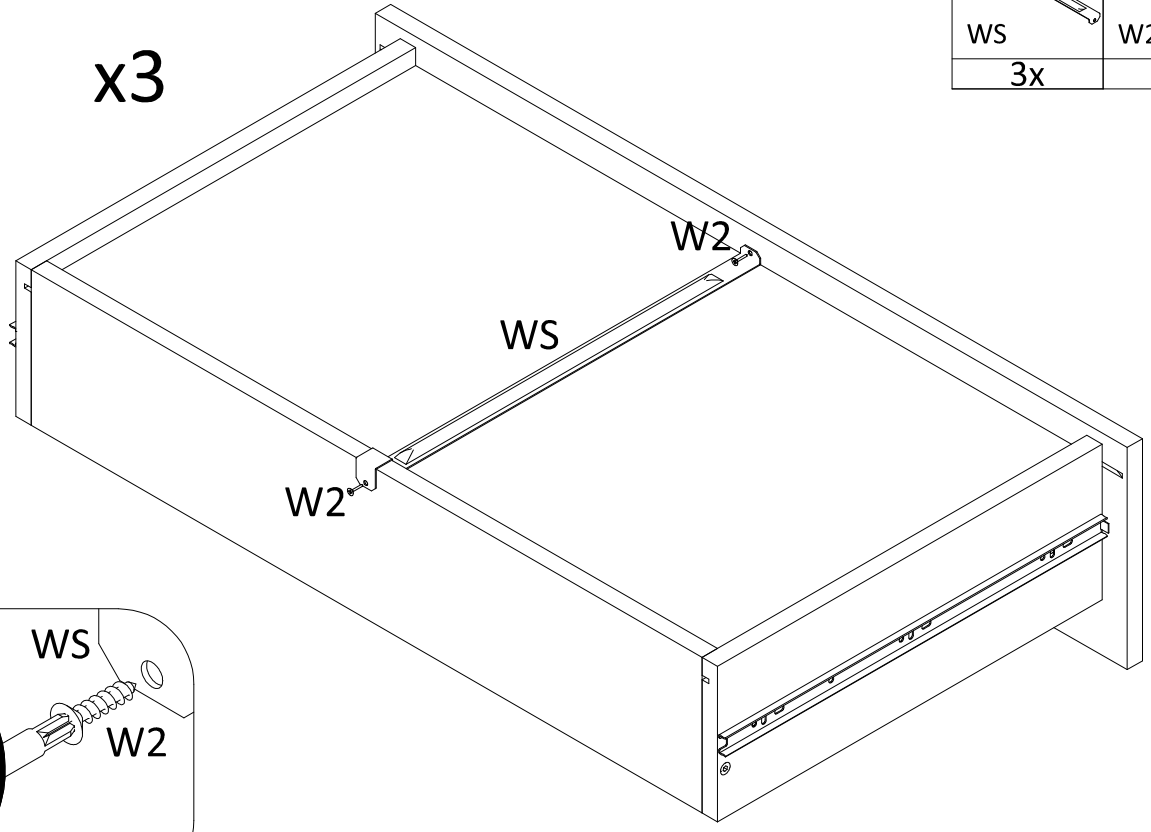
# 27



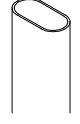
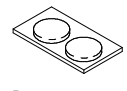


# 28

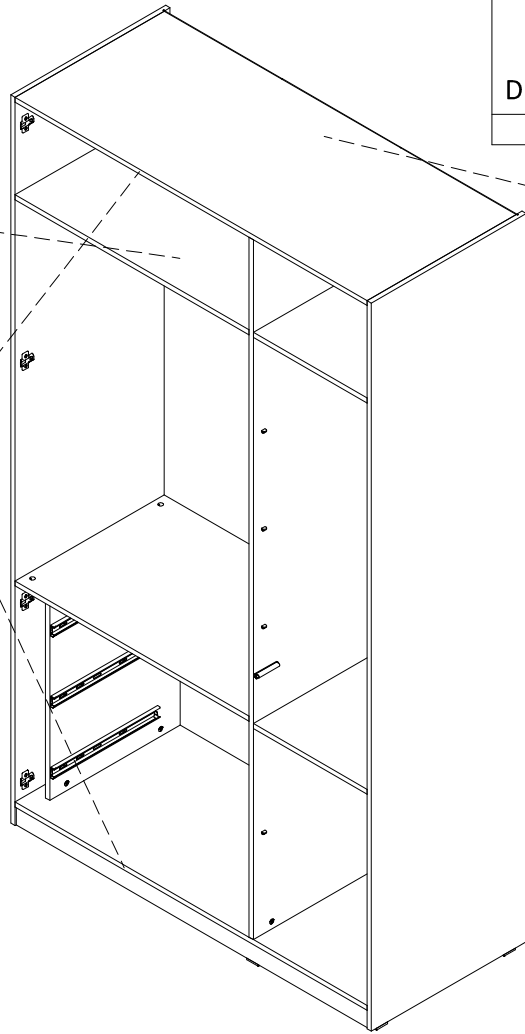
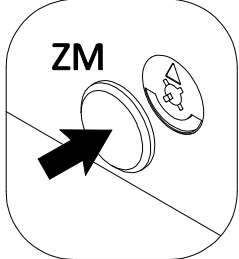
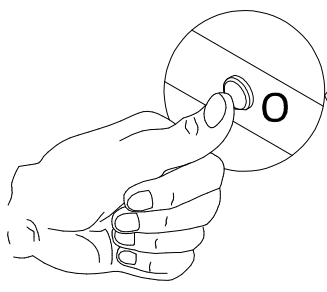
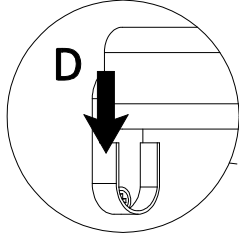
	
WS	W2
3x	6x

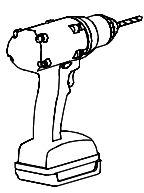
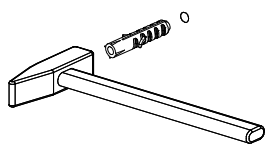
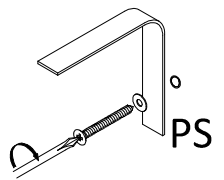
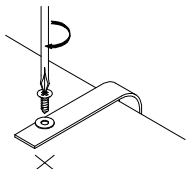
x3



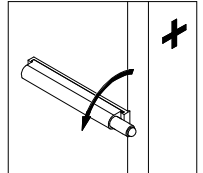
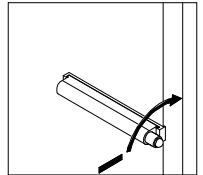
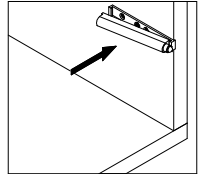
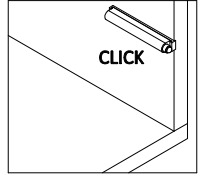
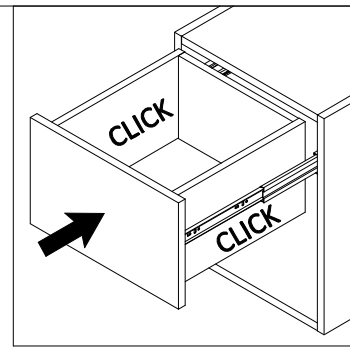
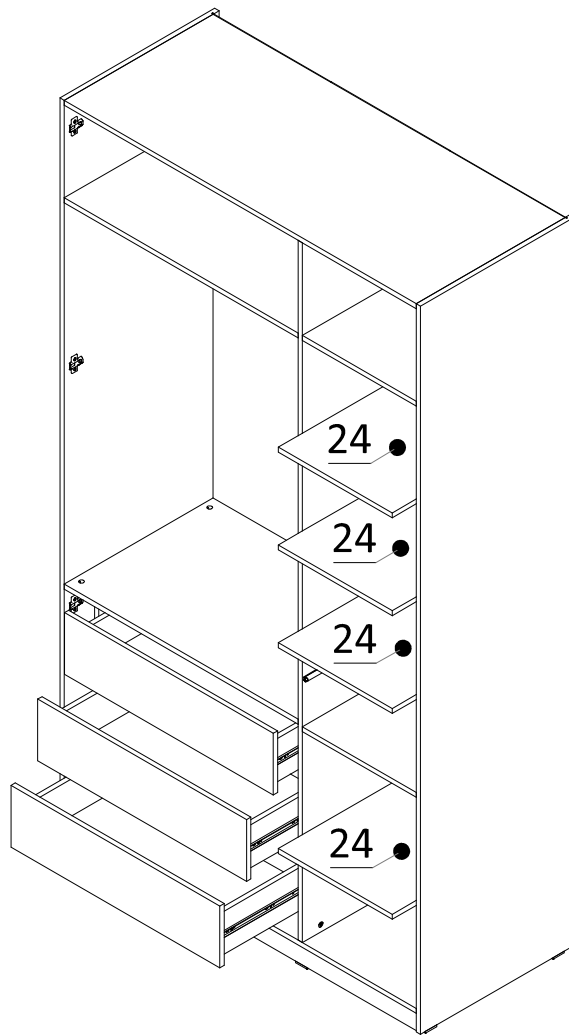
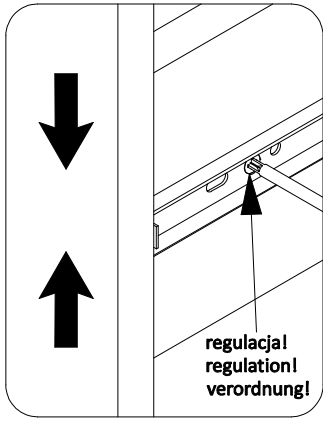
# 29

			
D	O	ZM	PS
1x	4x	24x	1x



- 1 
- 2 
- 3 
- 4 

# 30



# 31

